

Regulated
 Case style: DIP24

INDUSTRIAL DC/DC Converters

0,5 Watt
 Series: CFH/1S

IEC 60079-11
reinforced & partial discharge free insulation
clearance & creepage > 16mm

Electrical specifications:

Input voltage range:	19,2V - 28,8V	Ambient temperature:	-40°C to +85°C
Output voltage accuracy:	+/- 5%	Operating temperature:	max. +105°C
Line regulation:	+/- 0,5%	1. UNM: 1000V AC partial-discharge free insulation	
Load regulation:	+/- 0,5%	2. test voltage:	4kV AC
Efficiency:	55% @ 19,2 Vin 43% @ 24 Vin 35% @ 28,8 Vin	Case material:	black polycarbonate
Output Ripple & Noise:	typ. 50mVp-p	Optional part-no.: /F	inp. ferrits
Short circuit protection:	continuous / autorestart		

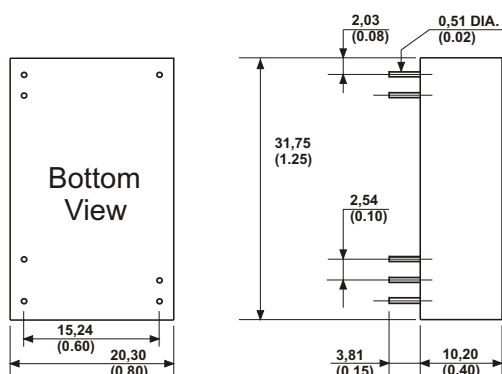
max. steady current 20mA load

CAUTION: NO INPUT POLARITY CHANGE ALLOWED!

Part - No. Single	Input Voltage	Output Voltage	Output Current
CFH-2424/1S	24V	24V	20mA

Any other output voltages available

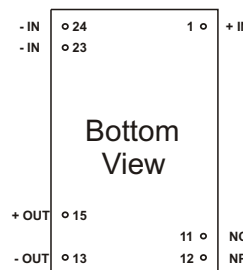
All pins on a 2,54mm pitch;
 NP = No Pin, NC = No connection



ALL DIMENSIONS IN MM (INCHES)
 MILLIMETERS +/- 0,25mm / INCHES +/- 0,01"

PIN CONNECTION:

Single



Specification may be changed without notice
 please contact office for verification

We can offer EMC - Filter
 according to EN55011/22 Class B.