

INDUSTRIAL DC/DC Converters buck-boost

Stand: 18/09

60 Watt
 Series: TSBB

Wide input range

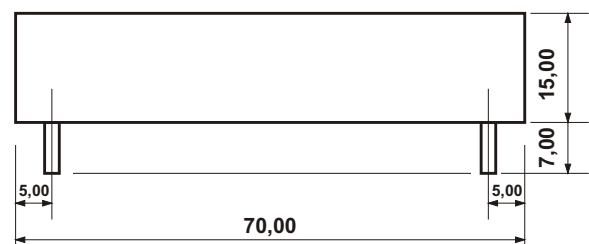
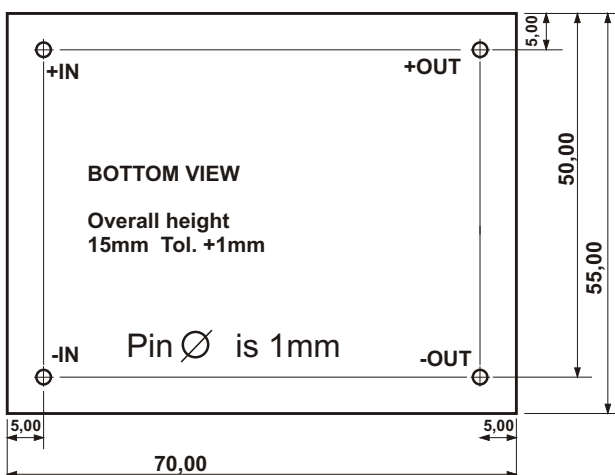
Electrical specifications:

Input voltage:	6 - 30V	Efficiency:	min. 92%
Output voltage accuracy:	+/- 2%	Isolation voltage:	none isolation
Line regulation:	+/- 1%	Short circuit protection:	no
Load regulation:	+/- 1%	case material:	metal
Ambient temperature:	-40°C to +71°C	no under voltage Lockout	
Ambient temperature till 25W:	-40°C to +85°C	therefore slow fuse recommended	
Operating temperature:	max. +95°C		

CAUTION: NO INPUT POLARITY CHANGE ALLOWED!

Part-No.	Input voltage	NO ISOLATION	Output voltage	Output current
TSBB-2412 (for example)	6 - 30 V		9V	6,6 A
		12V	5,0 A	
		15V	4,0 A	
		18V	3,3 A	
		24V	2,5 A	

max permissible input ripple current without any other external input caps 1,5A



ALL DIMENSIONS IN MM
 Tolerance +/- 0,5mm

Specification may be changed without notice
 please contact office for verification

We can offer EMC - Filter
 according to EN55011/22 Class B.