

for IGBT - IGCT Supplies

INDUSTRIAL - HV - ISOLATION DC/DC Converters

PWM - regulated

Stand: 28/06

20 Watt

Series: THVI

Electrical specifications:

Input voltage range: +/- 5%
 Output voltage accuracy: +/- 3%
 Line regulation: +/- 0,2%
 Load regulation: +/- 1%
 Efficiency: min. 70%
 Output Ripple & Noise: 150mVp-p
 short circuit protection: continuous
 Isolation voltage: min. 1000V DC
 Case material: epoxy

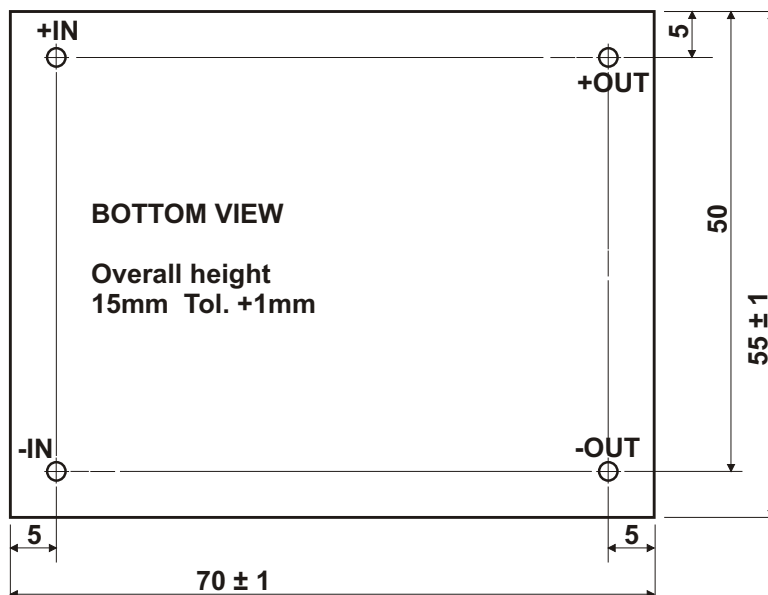
Ambient temperature: -40°C to +71°C
 DERATING: 0,5W/°C from 61°C

Part-No. /2 Insulation 2,3kV AC rms partial-discharge free
 Part-No. /3 Insulation 3kV AC rms partial-discharge free
 Part-No. /4 Insulation 4kV AC rms partial-discharge free
 Part-No. /5 Insulation 5kV AC rms partial-discharge free

CAUTION: NO INPUT POLARITY CHANGE ALLOWED!

Part - No. Single Output	Input Voltage DC	Output Voltage DC	Output Current
THVI-4805/2	45,6-50,4V	5V	4000mA

Any other IN & OUTPUT voltages available.



ALL DIMENSIONS IN MM
 MILLIMETERS +/-0,25mm
 NP (no pin) on single output models
 COM (common) on dual output models

Note: Pin size is 1mm diameter

Specification may be changed without notice
 please contact office for verification

We can offer EMC - Filter
 according to EN55011/22 Class B.