

Regulated  
 Case Style: SIP 7

## COMMERCIAL DC/DC Converters

1 Watt  
 Series: S7R

### Electrical specifications:

Input voltage range: - 5% / +5%  
 Output voltage accuracy: +/- 5%  
 Line regulation of Vin: max. +/- 1%  
 Load regulation: max. +/- 1%  
 Efficiency at full load: typ. 60%

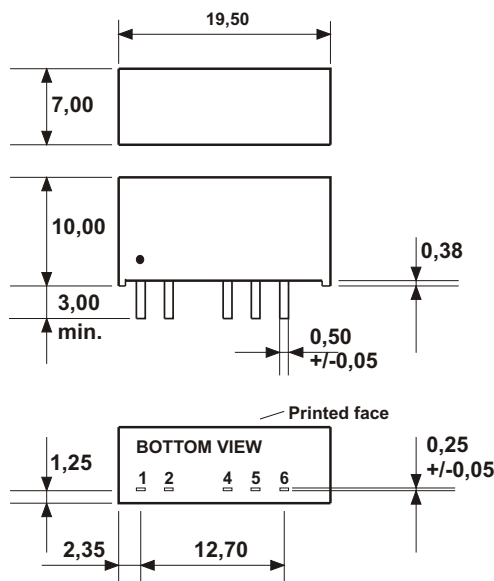
Isolation voltage: min. 1000V DC  
 Output Ripple & Noise: max. 100mVp-p  
 Short circuit protection: 1,0 second  
 Optional: /S = continuous  
 Operating temperature: -40°C to +70°C

Output power Optional: /5 = 0,5W  
 /7 = 0,75W

CAUTION: NO INPUT POLARITY CHANGE ALLOWED!

Single Output				Dual Output			
Part - No.	Input Voltage	Output Voltage	Output current	Part - No.	Input Voltage	Output Voltage	Output current
S7R-0503,3 S7R-0505 S7R-0512 S7R-0515	5V	3,3V 5V 12V 15V	303mA 200mA 83mA 67mA	S7R-0505D S7R-0512D S7R-0515D	5V	± 5V ±12V ±15V	±100mA ± 42mA ± 33mA
S7R-1203,3 S7R-1205 S7R-1212 S7R-1215	12V	3,3V 5V 12V 15V	303mA 200mA 83mA 67mA	S7R-1205D S7R-1212D S7R-1215D	12V	± 5V ±12V ±15V	±100mA ± 42mA ± 33mA
S7R-1503,3 S7R-1505 S7R-1512 S7R-1515	15V	3,3V 5V 12V 15V	303mA 200mA 83mA 67mA	S7R-1505D S7R-1512D S7R-1515D	15V	± 5V ±12V ±15V	±100mA ± 42mA ± 33mA
S7R-2403,3 S7R-2405 S7R-2412 S7R-2415	24V	3,3V 5V 12V 15V	303mA 200mA 83mA 67mA	S7R-2405D S7R-2412D S7R-2415D	24V	± 5V ±12V ±15V	±100mA ± 42mA ± 33mA

### Mechanical Dimensions & Schematic



### Any other input & output voltage available !

PIN CONNECTION			
PIN	SINGLE	SINGLE C*	DUAL
1	VCC	VCC	VCC
2	GND	GND	GND
3	NP	NP	NP
4	-Vout	-Vout	-Vout
5	NC	CTRL	COM
6	+Vout	+Vout	+Vout

\* Add "C" to the end of Partnumber.  
 For example S7R-0505C/5 0,5W

ALL DIMENSIONS IN MM  
 Tolerance +/- 0,25mm  
 All pins on a 2,54mm pitch  
 NC = No connection; NP = No pin

Note: Input and output capacitor  
 4,7µF - 10µF recommended  
 Dot denotes pin 1

Specification may be changed without notice  
 please contact office for verification

We can offer EMC - Filter  
 according to EN55011/22 Class B.