

Unregulated
 Case style: DIP24
 Short circuit proof

INDUSTRIAL DC/DC Converters

3 Watt
 Series: CFU

Electrical specifications:

Input voltage range: +/- 10% / @U_{in}=5V -5%/+10%
 Output voltage accuracy: +/- 2% (V_{in}=nominal & full load)
 +/- 5% (U_{in}< 3,3V)
 +/- 1% // +/- 1%
 Line V_{in}/V_{out}: +/- 1% // +/- 1%
 Output voltage change: 3,3V, 5V output types 15% max.
 9V ~ 24V output types 10% max.
 Efficiency: up to 80%
 Output ripple & noise: typ. 100mVp-p
 max. 200mVp-p @ U_{in}=3,3V

Short circuit protection: continuous / autorestart
 Operating temperature: -40°C to +105°C
 Ambient temperature: -40°C to +71°C
 Insulation test voltage: standard 1000V DC
 Case material: black polycarbonate
 Optional:
 Part-No. /3 metalcase (not for high insulation voltage)
 Part-No. /2 4kV AC rms insulation test voltage**
 Part-No. /7 3kV DC insulation test voltage**
 Part-No. /5 External -IN & -OUT/COM connection allowed
 Part-No. /9 Automotiv Tamb. -55°C to +85°C
 ** only with /0, /1, /8 pin connection available

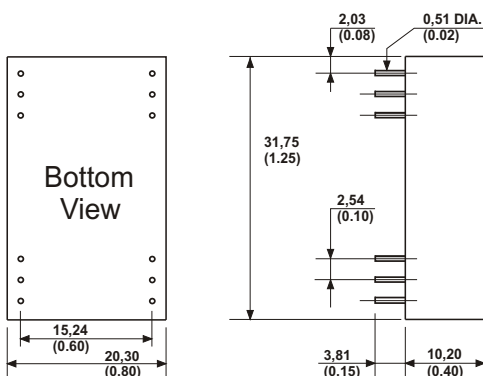
CAUTION: NO INPUT POLARITY CHANGE ALLOWED!

Part - No. Single	Input Voltage	Output Voltage	Output Current	Part - No. Dual	Input Voltage	Output Voltage	Output Current
CFU-03,301,6 CFU-03,306	3,3V	1,6V 6,0V	2000mA 400mA				
CFU-0505 CFU-0509 CFU-0512 CFU-0515	5V	5V 9V 12V 15V	600mA 330mA 250mA 200mA	CFU-0505D CFU-0512D CFU-0515D	5V	+/- 5V +/-12V +/-15V	+/-300mA +/-125mA +/-100mA
CFU-1205 CFU-1209 CFU-1212 CFU-1215	12V	5V 9V 12V 15V	600mA 330mA 250mA 200mA	CFU-1205D CFU-1212D CFU-1215D	12V	+/- 5V +/-12V +/-15V	+/-300mA +/-125mA +/-100mA
CFU-2405 CFU-2412 CFU-2415	24V	5V 12V 15V	600mA 250mA 200mA	CFU-2405D CFU-2412D CFU-2415D	24V	+/- 5V +/-12V +/-15V	+/-300mA +/-125mA +/-100mA

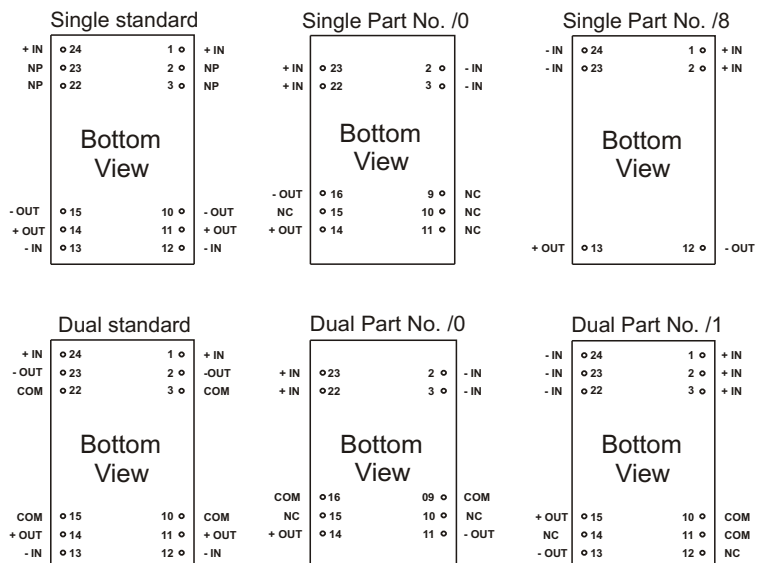
Any other output voltages available

PIN CONNECTION:

All pins on a 2,54mm pitch;
 NP = No Pin, NC = No connection



ALL DIMENSIONS IN MM (INCHES)
 MILLIMETERS +/- 0,25mm / INCHES +/- 0,01"



Unregulated
Case style: DIP24
Short circuit proof

INDUSTRIAL DC/DC Converters

3 Watt
Series: CFUH

EN60950 / EN61010 / EN60079-11
reinforced insulation
and partial discharge free insulation

Electrical specifications:

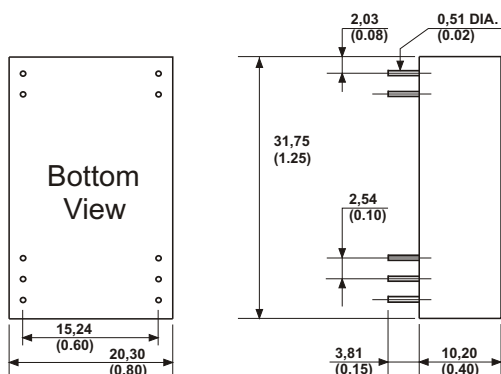
Input voltage range:	+/- 10%	Operating temperature:	-40°C to +105°C
Output voltage accuracy:	+/- 2% (Vin=nominal & full load)	Ambient temperature:	-40°C to +71°C
Line Vin/Vout:	+/- 1% // +/- 1%	Insulation test voltage:	4000V AC rms
Output voltage change (10% to 100%):	3,3V,5V output types 15% max. 9V - 24V output types 10% max.	Partial-discharge free insulation:	1 kV AC rms
Efficiency:	up to 80%	Couple capacitance:	~ 10pF
Output Ripple & Noise:	typ. 100mVp-p	Case material:	black polycarbonate
Short circuit protection:	continuous / autorestart		

CAUTION: NO INPUT POLARITY CHANGE ALLOWED!

Part - No. Single	Input Voltage	Output Voltage	Output Current	Part - No. Dual	Input Voltage	Output Voltage	Output Current
CFUH-0505	5V	5V	600mA	CFUH-0505D	5V	+/- 5V	+/-300mA
CFUH-0509		9V	330mA	CFUH-0512D		+/-12V	+/-125mA
CFUH-0512		12V	250mA	CFUH-0515D		+/-15V	+/-100mA
CFUH-0515		15V	200mA				
CFUH-1205	12V	5V	600mA	CFUH-1205D	12V	+/- 5V	+/-300mA
CFUH-1209		9V	330mA	CFUH-1212D		+/-12V	+/-125mA
CFUH-1212		12V	250mA	CFUH-1215D		+/-15V	+/-100mA
CFUH-1215		15V	200mA				
CFUH-2405	24V	5V	600mA	CFUH-2405D	24V	+/- 5V	+/-300mA
CFUH-2412		12V	250mA	CFUH-2412D		+/-12V	+/-125mA
CFUH-2415		15V	200mA	CFUH-2415D		+/-15V	+/-100mA

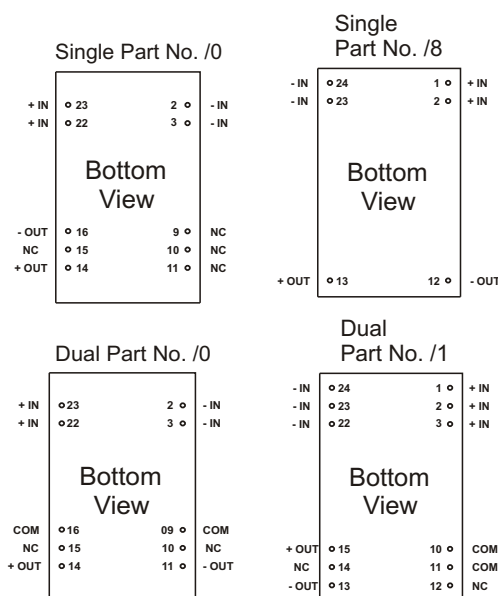
Any other output voltages available

All pins on a 2,54mm pitch;
 NP = No Pin, NC = No connection



ALL DIMENSIONS IN MM (INCHES)
 MILLIMETERS +/- 0,25mm / INCHES +/- 0,01"

PIN CONNECTION:



Specification may be changed without notice
 please contact office for verification

We can offer EMC - Filter
 according to EN55011/22 Class B.