

**Unregulated**  
**Case style: DIP24**  
**Short circuit proof**

# INDUSTRIAL DC/DC Converters

**3 Watt**  
**Series: CFUH**

**EN60950 / EN61010 / EN60079-11**  
**reinforced insulation**  
**and partial discharge free insulation**

**Electrical specifications:**

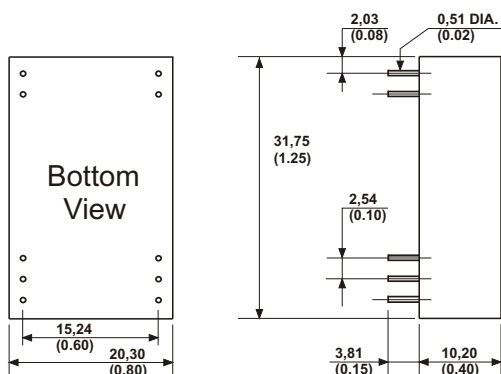
Input voltage range:	+/- 10%	Operating temperature:	-40°C to +105°C
Output voltage accuracy:	+/- 2% (Vin=nominal & full load)	Ambient temperature:	-40°C to +71°C
Line Vin/Vout:	+/- 1% // +/- 1%	Insulation test voltage:	4000V AC rms
Output voltage change (10% to 100%):	3,3V,5V output types 15% max. 9V - 24V output types 10% max.	Partial-discharge free insulation:	1 kV AC rms
Efficiency:	up to 80%	Couple capacitance:	~ 10pF
Output Ripple & Noise:	typ. 100mVp-p	Case material:	black polycarbonate
Short circuit protection:	continuous / autorestart		

**CAUTION: NO INPUT POLARITY CHANGE ALLOWED!**

Part - No. Single	Input Voltage	Output Voltage	Output Current	Part - No. Dual	Input Voltage	Output Voltage	Output Current
CFUH-0505	5V	5V	600mA	CFUH-0505D	5V	+/- 5V	+/-300mA
CFUH-0509		9V	330mA	CFUH-0512D		+/-12V	+/-125mA
CFUH-0512		12V	250mA	CFUH-0515D		+/-15V	+/-100mA
CFUH-0515		15V	200mA				
CFUH-1205	12V	5V	600mA	CFUH-1205D	12V	+/- 5V	+/-300mA
CFUH-1209		9V	330mA	CFUH-1212D		+/-12V	+/-125mA
CFUH-1212		12V	250mA	CFUH-1215D		+/-15V	+/-100mA
CFUH-1215		15V	200mA				
CFUH-2405	24V	5V	600mA	CFUH-2405D	24V	+/- 5V	+/-300mA
CFUH-2412		12V	250mA	CFUH-2412D		+/-12V	+/-125mA
CFUH-2415		15V	200mA	CFUH-2415D		+/-15V	+/-100mA

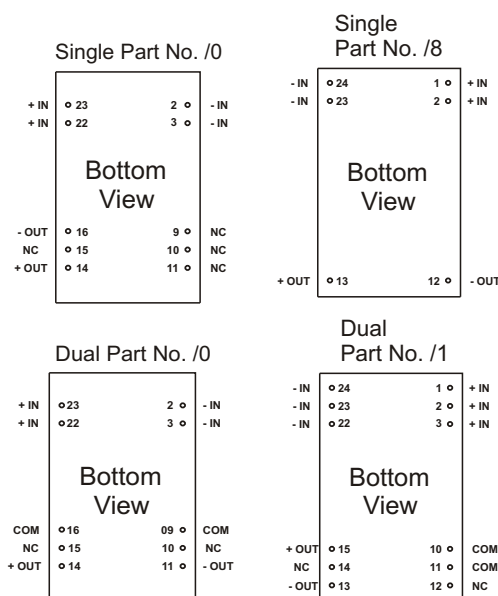
**Any other output voltages available**

All pins on a 2,54mm pitch;  
 NP = No Pin, NC = No connection



ALL DIMENSIONS IN MM (INCHES)  
 MILLIMETERS +/- 0,25mm / INCHES +/- 0,01"

**PIN CONNECTION:**



Specification may be changed without notice  
 please contact office for verification

We can offer EMC - Filter  
 according to EN55011/22 Class B.