

Superb quality
 Linear-Regulated
 Case style: DIP24
 Short circuit proof

INDUSTRIAL DC/DC Converters

3 Watt
 Series: CF

Electrical specifications:

Input voltage range: +/- 10% / @U_{in}=5V -5%/+10%
 Output voltage accuracy: +/- 5%
 Line regulation: +/- 0,5%
 Load regulation: +/- 0,5%
 Efficiency: up to 75%
 Output Ripple & Noise: typ. 100mVp-p

Short circuit protection: continuous / autorestart
 Operating temperature: -40°C to +105°C
 Ambient temperature: -40°C to +71°C
 Insulation test voltage: standard 1000V DC
 Case material: black polycarbonate
 Optional:

- Part-No. /3 metalcase (not for high insulation voltage)
 - Part-No. /2 4kV AC rms insulation test voltage**
 - Part-No. /7 3kV DC insulation test voltage**
 - Part-No. /4 4kV DC insulation test voltage**
 - Part-No. /5 External -IN & -OUT/COM connection allowed
 - Part-No. /9 Automotiv Tamb. -55°C to +85°C
- ** only with /0 , /1 , /8 pin connection available

CAUTION: NO INPUT POLARITY CHANGE ALLOWED!

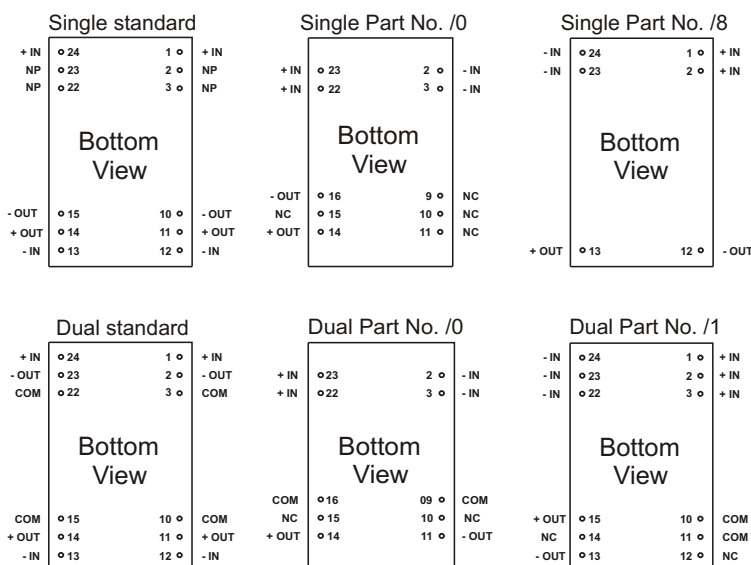
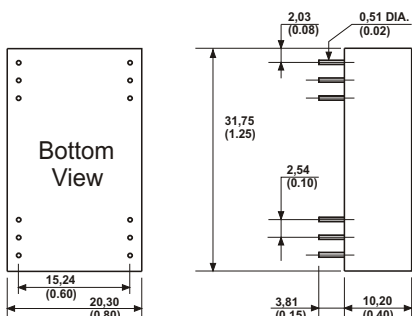
Part - No. Single	Input Voltage	Output Voltage	Output Current	Part - No. Dual	Input Voltage	Output Voltage	Output Current
CF - 0505	5V	5V	600mA	CF - 0505D	5V	+/- 5V	+/-300mA
CF - 0509		9V	330mA	CF - 0512D		+/-12V	+/-125mA
CF - 0512		12V	250mA	CF - 0515D		+/-15V	+/-100mA
CF - 0515		15V	200mA				
CF - 1205	12V	5V	600mA	CF - 1205D	12V	+/- 5V	+/-300mA
CF - 1209		9V	330mA	CF - 1212D		+/-12V	+/-125mA
CF - 1212		12V	250mA	CF - 1215D		+/-15V	+/-100mA
CF - 1215		15V	200mA				
CF - 2405	24V	5V	600mA	CF - 2405D	24V	+/- 5V	+/-300mA
CF - 2412		12V	250mA	CF - 2412D		+/-12V	+/-125mA
CF - 2415		15V	200mA	CF - 2415D		+/-15V	+/-100mA

Any other output voltages available

PIN CONNECTION:

All pins on a 2,54mm pitch;
 NP = No Pin, NC = No connection

ALL DIMENSIONS IN MM (INCHES)
 MILLIMETERS +/- 0,25mm / INCHES +/- 0,01"



Specification may be changed without notice
 please contact office for verification

We can offer EMC - Filter
 according to EN55011/22 Class B.