

Linear-Regulated
 Case style: DIP24

INDUSTRIAL DC/DC Converters RAILWAY APPLICATION

3 Watt
 Series: CFH

EN/UL50124-1
reinforced insulation
and partial discharge free insulation

Electrical specifications:

Input voltage range: +/- 5%
 Output voltage accuracy: +/- 5%
 Line regulation: +/- 0,5%
 Load regulation: +/- 0,5%
 Efficiency: up to 75%
 Output Ripple & Noise: typ. 50mVp-p
 Short circuit protection: continuous / autorestart

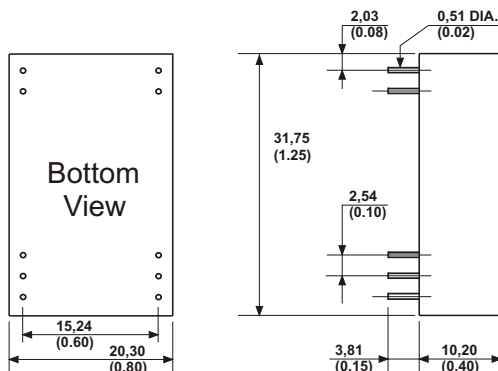
Operating temperature: -40°C to +105°C
 Ambient temperature: -40°C to +71°C
 Standard 1000V AC rms partial-discharge free insulation
 Pollution degree 3 / insulation group III
 test voltage OV2: 7kV AC rms
 Case material: black polycarbonate

CAUTION: NO INPUT POLARITY CHANGE ALLOWED!

Part - No. Single	Input Voltage	Output Voltage	Output Current	Part - No. Dual	Input Voltage	Output Voltage	Output Current
CFH-0505	5V	5V	600mA	CFH-0505D	5V	+/- 5V	+/-300mA
CFH-0509		9V	330mA	CFH-0512D		+/-12V	+/-125mA
CFH-0512		12V	250mA	CFH-0515D		+/-15V	+/-100mA
CFH-0515		15V	200mA				
CFH-1205	12V	5V	600mA	CFH-1205D	12V	+/- 5V	+/-300mA
CFH-1209		9V	330mA	CFH-1212D		+/-12V	+/-125mA
CFH-1212		12V	250mA	CFH-1215D		+/-15V	+/-100mA
CFH-1215		15V	200mA				
CFH-2405	24V	5V	600mA	CFH-2405D	24V	+/- 5V	+/-300mA
CFH-2412		12V	250mA	CFH-2412D		+/-12V	+/-125mA
CFH-2415		15V	200mA	CFH-2415D		+/-15V	+/-100mA

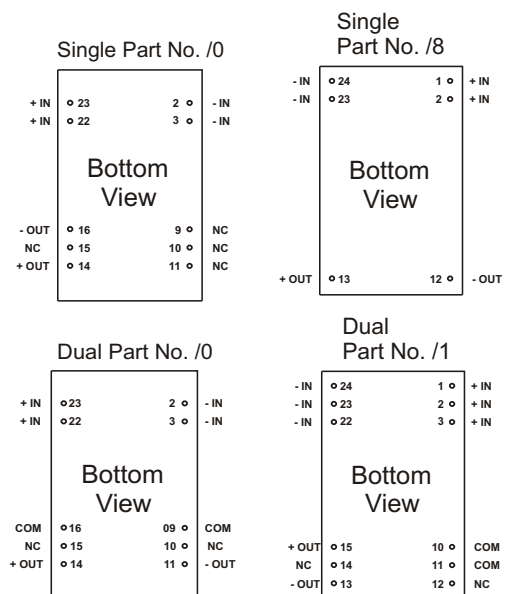
Any other output voltages available

All pins on a 2,54mm pitch;
 NP = No Pin, NC = No connection



ALL DIMENSIONS IN MM (INCHES)
 MILLIMETERS +/- 0,25mm / INCHES +/- 0,01"

PIN CONNECTION:



Specification may be changed without notice
 please contact office for verification

We can offer EMC - Filter
 according to EN55011/22 Class B.