

Regulated
 Case style: DIP24

INDUSTRIAL DC/DC Converters

1 - 2 Watt
 Series: CFH/1S

IEC 60079-11
reinforced & partial discharge free insulation
clearance & creepage > 16mm

Electrical specifications:

Input voltage range:	+/- 20%	Operating temperature:	-40°C to +105°C
Output voltage accuracy:	+/- 5%	Ambient temperature:	-40°C to +85°C
Line regulation:	+/- 0,5%	1. UNM: 1000V AC partial-discharge free insulation	
Load regulation:	+/- 0,5%	2. test voltage:	4kV AC
Efficiency:	typ. 65%	Case material:	black polycarbonate
Output Ripple & Noise:	typ. 50mVp-p	Optional	
Short circuit protection:	continuous / autorestart	Part No.: /F	inp. Ferrits
		Part No.: /5	0,5 Watt output power

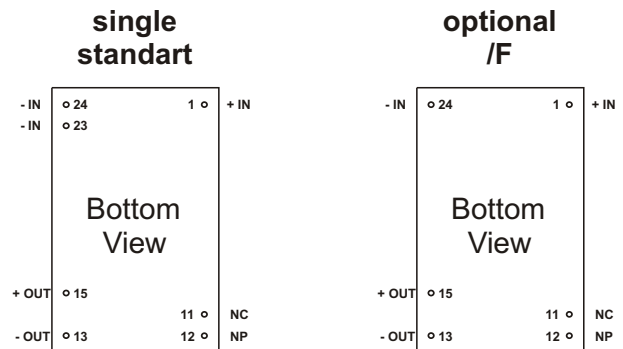
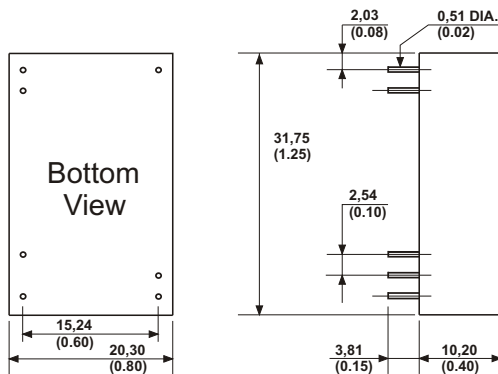
CAUTION: NO INPUT POLARITY CHANGE ALLOWED!

Part - No.	Input Voltage	Output Voltage	Output Current 1 Watt	Output Current 2 Watt
CFH-1205/1S	12V	5V	200mA	400mA
CFH-1209/1S		9V	111mA	222mA
CFH-1212/1S		12V	83mA	166mA
CFH-1215/1S		15V	66mA	132mA
CFH-2405/1S	24V	5V	200mA	400mA
CFH-2412/1S		12V	83mA	166mA
CFH-2415/1S		15V	66mA	132mA
CFH-2424/1S		24V	42mA	83mA

Any other output voltages available !

All pins on a 2,54mm pitch;
 NP = No Pin, NC = No connection

PIN CONNECTION:



ALL DIMENSIONS IN MM (INCHES)
 MILLIMETERS +/- 0,25mm / INCHES +/- 0,01"

Specification may be changed without notice
 please contact office for verification

We can offer EMC - Filter
 according to EN55011/22 Class B.