

Stand: 13/13

Wide input range 1:4  
 Case style: DIP24

# INDUSTRIAL DC/DC Converters PWM - regulated

3 - 4 Watt  
 Series: CFW4/  
 CMW4

### Electrical specifications:

Input voltage: wide 1:4  
 Output voltage accuracy: +/- 2%  
 Line regulation: +/- 0,2%  
 Load regulation: +/- 1%  
 Operating temperature: -40°C up to +105°C  
 Ambient temperature: -40°C to +71°C

Efficiency: up to 76%  
 Output Ripple & Noise: typ. 150mVp-p fully protected  
 Short circuit protection:  
 Insulation test voltage: 1000V DC  
 Part-Nr. /3 3kV AC rms:  
 Part-Nr. /6 3,75W  
 Part-Nr. /2 4W  
 Part-Nr. /5 External -IN & -OUT / COM connection allowed  
 Case material: CFW4- polycarbonate / CMW4- metal

**CAUTION: NO INPUT POLARITY CHANGE ALLOWED!**

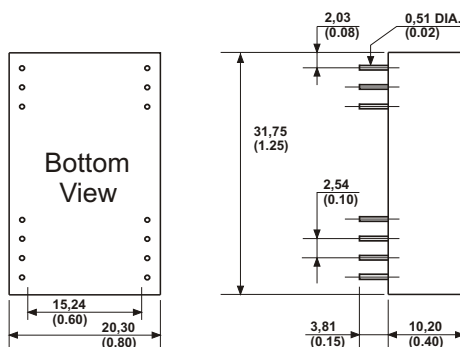
Part - No. Single	Input Voltage DC	Output Voltage DC	Output Current	Part - No. Dual	Input Voltage DC	Output Voltage DC	Output Current
CFW4-2403	10-40V	3V	1000mA	CFW4-2403D	10-40V	+/- 3V	+/-500mA
CFW4-2405		5V	600mA	CFW4-2405D		+/- 5V	+/-300mA
CFW4-2412		12V	250mA	CFW4-2412D		+/-12V	+/-125mA
CFW4-2415		15V	200mA	CFW4-2415D		+/-15V	+/-100mA
CFW4-2418		18V	166mA	CFW4-2418D		+/-18V	+/- 83mA
CFW4-2420		20V	150mA	CFW4-2420D		+/-20V	+/- 75mA
CFW4-2424		24V	125mA	CFW4-2424D		+/-24V	+/- 62mA
CFW4-2428		28V	107mA	CFW4-2428D		+/-28V	+/- 54mA
CFW4-4803		20-80V	3V	1000mA		CFW4-4803D	20-80V
CFW4-4805	5V		600mA	CFW4-4805D	+/- 5V	+/-300mA	
CFW4-4812	12V		250mA	CFW4-4812D	+/-12V	+/-125mA	
CFW4-4815	15V		200mA	CFW4-4815D	+/-15V	+/-100mA	
CFW4-4818	18V		166mA	CFW4-4818D	+/-18V	+/- 83mA	
CFW4-4820	20V		150mA	CFW4-4820D	+/-20V	+/- 75mA	
CFW4-4824	24V		125mA	CFW4-4824D	+/-24V	+/- 62mA	
CFW4-4828	28V		107mA	CFW4-4828D	+/-28V	+/- 54mA	

\* Attention: Initial start-up requires U<sub>in</sub> min. 10V, then U<sub>in</sub> can drop down to min. 9V without leaving output tolerance.

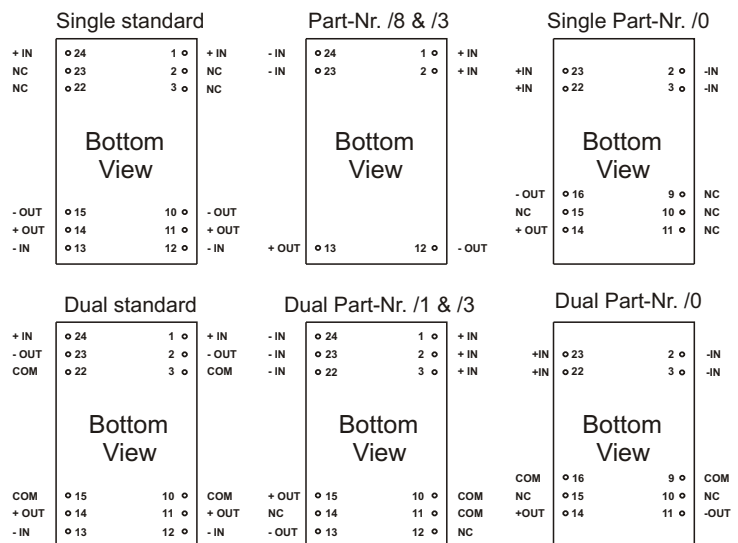
**Any other output voltages available!**

All 3V and 5V output types require a permanent burden of 15-60mA

### PIN CONNECTION:



ALL DIMENSIONS IN MM (INCHES)  
 MILLIMETERS +/- 0,5mm  
 (INCHES +/- 0,02")  
 All pins on a 2,54mm pitch.



Specification may be changed without notice  
 please contact office for verification

We can offer EMC - Filter  
 according to EN55011/22 Class B.