

Wide input range  
 Case style: DIP24

## INDUSTRIAL DC/DC Converters Step down

3 - 5 Watt  
 Series: CPN

### Electrical specifications:

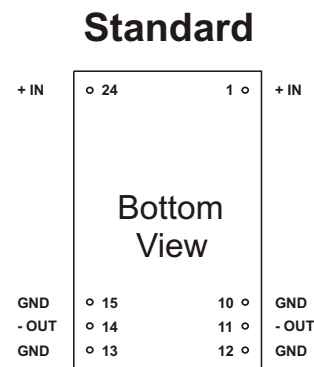
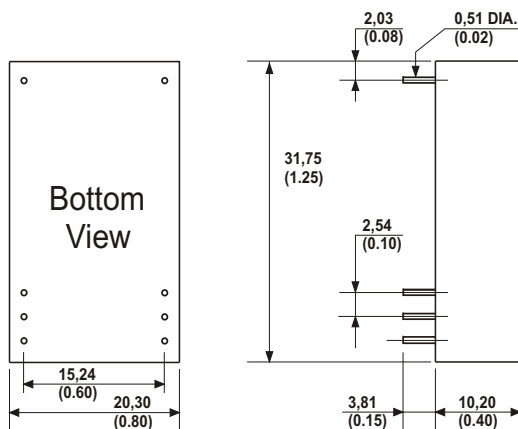
Operating temperature: -40°C up to +105°C  
 Ambient temperature: -40° to +71°C  
 Input voltage: wide input range  
 Output voltage accuracy: +/- 5%  
 Output Ripple & Noise: < 200mVp-p with output capacitor  
 Line regulation: +/- 1%  
 Load regulation: +/- 1%

Short circuit protection: 1 second  
 Insulation voltage: none  
 Efficiency: up to 70%  
 Case material: black polycarbonate  
 Optional:  
 Part-Nr. /M: metalcase

**CAUTION: NO INPUT POLARITY CHANGE ALLOWED!**

Part-No. Single	Input Voltage DC	Output Voltage DC	Output Current
CPN-07/-40	7 - 10	- 40	- 130mA
CPN-05/-40	4,75 - 10	- 40	- 75mA

Any other output voltages available



ALL DIMENSIONS IN MM (INCHES)  
 MILLIMETERS +/- 0,25mm  
 (INCHES +/- 0,01")

All pins on a 2,54mm pitch

Input capacitor is necessary  
 min. values of capacity: 220µF  
 Output capacitor is necessary  
 min. values of capacity: 470µF

Specification may be changed without notice  
 please contact office for verification

We can offer EMC - Filter  
 according to EN55011/22 Class B.