

single output

# INDUSTRIAL DC/DC Converters PWM - regulated

20 Watt  
 Series: TC

### Electrical specifications:

Input voltage: +/- 10%  
 Output voltage accuracy: +/- 3%  
 Line regulation: +/- 0,2%  
 Load regulation: +/- 1%  
 Efficiency: up to 83%  
 Output Ripple & Noise: 150mVp-p  
 Short circuit protection: continuous  
 Insulation test voltage: 1000V DC  
 Case material: metal epoxy /3; /4

Operating temperature: -40°C up to 105°C  
 Ambient temperature: -40°C to +71°C  
 Part-No. /9 Ambient temperature optional: -55°C to +85°C  
 Optional:  
 Part-No. /0 Enable/Disable  
 Part-No. /2 Adjust output voltage  
 Part-No. /3 Insulation test voltage 3kV AC rms  
 Part-No. /4 Insulation test voltage 4kV AC rms  
 Part-No. /5 External -IN & -OUT/COM connection allowed

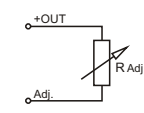
**CAUTION: NO INPUT POLARITY CHANGE ALLOWED!**

Part - No. Single Output	Input Voltage DC	Output Voltage DC	Output Current 20W
TC-0505	4,5 - 5,5V	5V	4000mA
TC-0512		12V	1670mA
TC-0515		15V	1330mA
TC-0524		24V	833mA
TC-0528		28V	714mA
TC-0548		48V	417mA
TC-0560		60V	333mA

**Any other output voltages available**

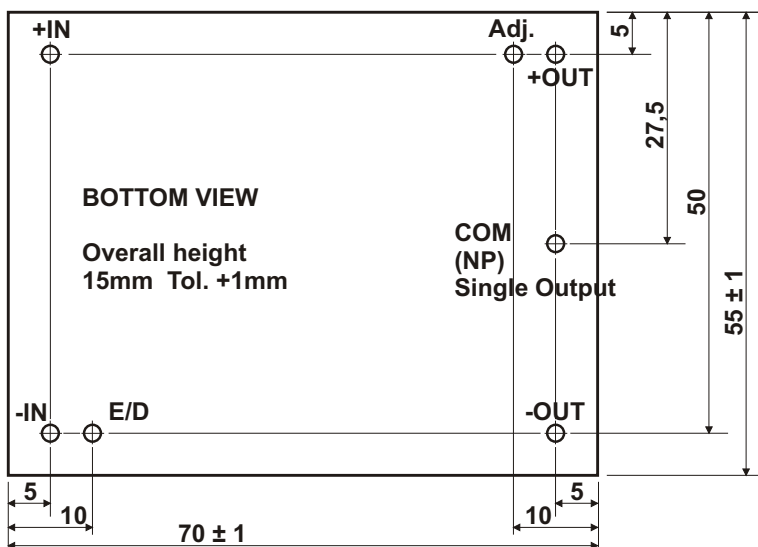
**Part-Nr. /0**  
 Logic compatibility TTL  
**ON:** E/D-Pin open or >=4,6 ... 5,5V  
**OFF:** E/D-Pin <=0,6V  
 Area between 0,6V ... 4,6V undefined

**Part-Nr. /2**



$R_{Adj} \geq xR \leq xR$   
 5V 5k 5k  
 12V 3k 5k  
 15V

Do not use converter without R<sub>Adj.</sub>!



ALL DIMENSIONS IN MM  
 MILLIMETERS +/-0,25mm  
 NP (no pin) on single output models  
 COM (common) on dual output models

Note: Pin size is 1mm diameter

Specification may be changed without notice  
 please contact office for verification

We can offer EMC - Filter  
 according to EN55011/22 Class B.

Triple output

# INDUSTRIAL DC/DC Converters

7 Watt  
 Series: TC

PWM - regulated

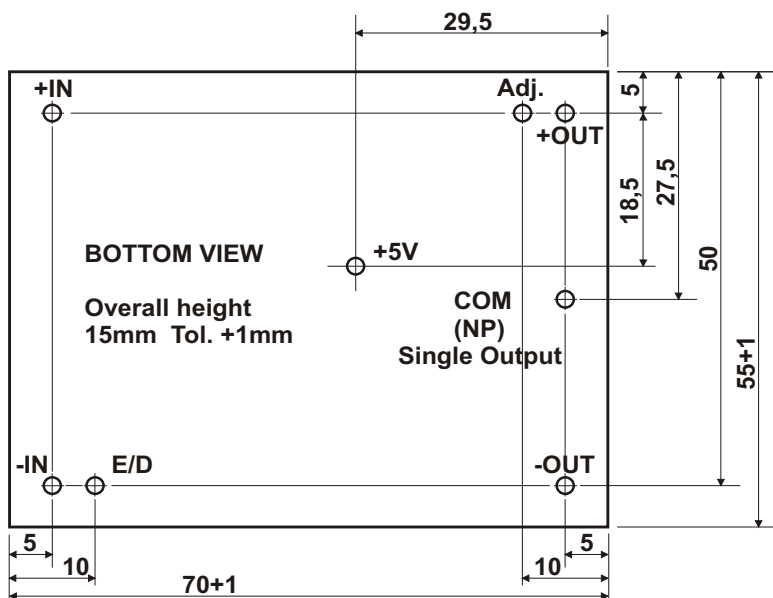
### Electrical specifications:

Input voltage:	+/- 10%	Operating temperature:	-40°C up to +105°C
Output voltage accuracy:	+/- 3%	Ambient temperature:	-40°C to +71°C
Line regulation:	+/- 0,3%	Part-No. /9 Ambient temperature optional:	-55°C to +85°C
Load regulation:	+/- 0,6%	Optional:	
Efficiency:	min. 68%	Part-No. /0 Enable/Disable	
Output Ripple & Noise:	150mVp-p	Part-No. /2 Adjust output voltage	
Short circuit protection:	continuous	Part-No. /5 External -IN & -OUT/COM connection allowed	
Insulation test voltage:	1000V DC		
Case material:	metal		
	epoxy /3; /4		

**CAUTION: NO INPUT POLARITY CHANGE ALLOWED!**

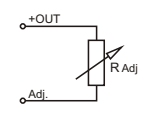
Part - No. Single Output	Input Voltage DC	Output Voltage DC	Output Current	Output Voltage DC	Output Current
TC-2410D05	21,6 - 26,4V	+/-10V	+/-50mA	5V	1A

**Any other output voltages available**



**Part-Nr. /0**  
 Logic compatibility TTL  
**ON:** E/D-Pin open or  
 >=4,6 ... 5,5V  
**OFF:** E/D-Pin <=0,6V  
 Area between  
 0,6V ... 4,6V undefined

**Part-Nr. /2**



$R_{Adj} \geq xR \leq xR$   
 5V  
 12V 3k 5k  
 15V

Do not use converter  
 without  $R_{Adj}$  !

**ALL DIMENSIONS IN MM  
 MILLIMETERS +/-0,25mm  
 NP (no pin) on single output models  
 COM (common) on dual output models**

Note: Pin size is 1mm diameter