

Wide input range

AUTOMOTIVE DC/DC Converters Step Down

**10 Watt
 Series: FSD**

Electrical specifications:

Input voltage: 5,5 - 24V
 Output voltage accuracy: 5V +/- 2,5% ; 3,3V +/-3,5%
 Line regulation: +/- 1%
 Load regulation: +/- 3%
 Efficiency: 74%
 Operating temperature: -40°C up to +105°C
 Ambient temperature: -40°C to +85°C

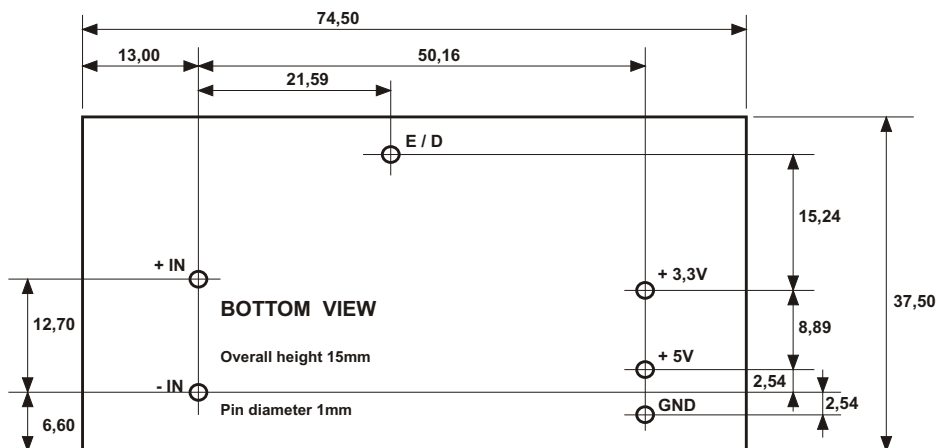
Insulation voltage: none
 Short circuit protection: continuous
 Output ripple & noise: typ. 50mVp-p
 Low voltage lockout

E/D Pin = Enable / Disable pin
 on : E/D-pin open 4,6 - 5,5V
 off : E/D-pin close <= 0,6V area undefined 0,6 till 4,6V

CAUTION: NO INPUT POLARITY CHANGE ALLOWED!

Part-No.	Input voltage	ISOLATION	Output voltage	Output current
FSD-120503,3	12V (5,5 - 24)		O	5,0V
		N	3,3V	1,5 A

Any other output voltages available



All dimensions in mm
 Tolerance +/- 0,5mm

Wide input range

AUTOMOTIVE DC/DC Converters Step Down

Electrical specifications:

Input voltage: 5,5 - 24V
 Output voltage accuracy: +/- 3%
 Line regulation: +/- 0,5%
 Load regulation: +/- 1%
 Efficiency: 74%

Insulation voltage: none
 Short circuit protection: continuous
 Output ripple & noise: typ. 50mVp-p
 Low voltage lockout

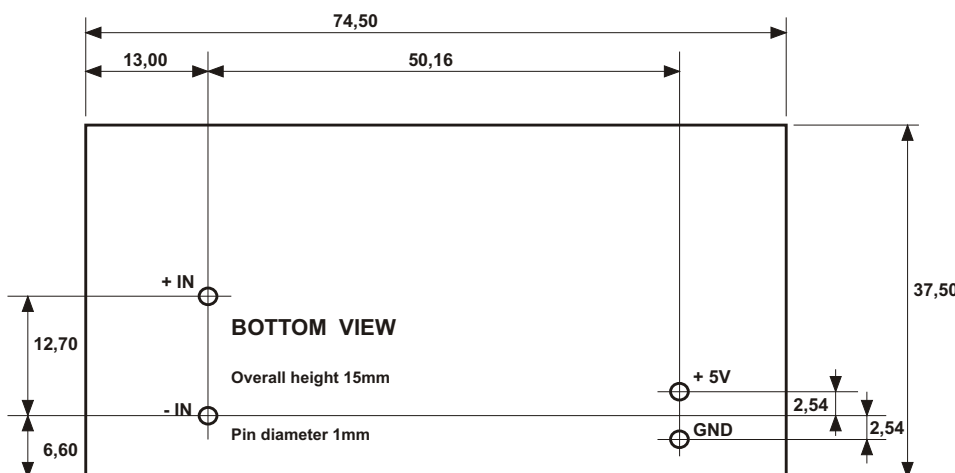
Operating temperature: -40°C up to +105°C
 9,0 ... 24V: Ambient temperature: -40°C to +85°C

5,5 ... 9V: Ambient temperature: -40°C to +60°C

CAUTION: NO INPUT POLARITY CHANGE ALLOWED!

Part-No.	Input voltage	NO ISOLATION	Output voltage	Output current
FSD-1205	12V (5,5 - 24)		5V	2,5A

Any other output voltages available



ALL DIMENSIONS IN MM
 Tolerance +/- 0,5mm

Specification may be changed without notice
 please contact office for verification

We can offer EMC - Filter
 according to EN55011/22 Class B.