

Stand: 27/13

100 Watt

Series: HSD3

Wide input range 1:3

INDUSTRIAL DC/DC Converters Step Down

Electrical specifications:

Output voltage accuracy: +/- 3%
 Line regulation: +/- 1%
 Load regulation: +/- 3%
 Efficiency: up to 93%
 Ambient temperature: -40°C to +85°C

Operating temperature: -40°C up to +105°C
 Insulation voltage: none
 Short circuit protection: continuous
 Output ripple & noise: max. 200mVp-p
 Low voltage lockout
 Part-No.: /A EN55011
 Part-No.: /B EN55011
 Input Class A
 Input Class B

CAUTION: NO INPUT POLARITY CHANGE ALLOWED!

Part - No.	Input voltage	N O ISOLATION	Output voltage	Output current
HSD3-8024/A	80V (40-120V)		Other voltages 24V on request	4,17A

Any other output voltages available

Pin Connections

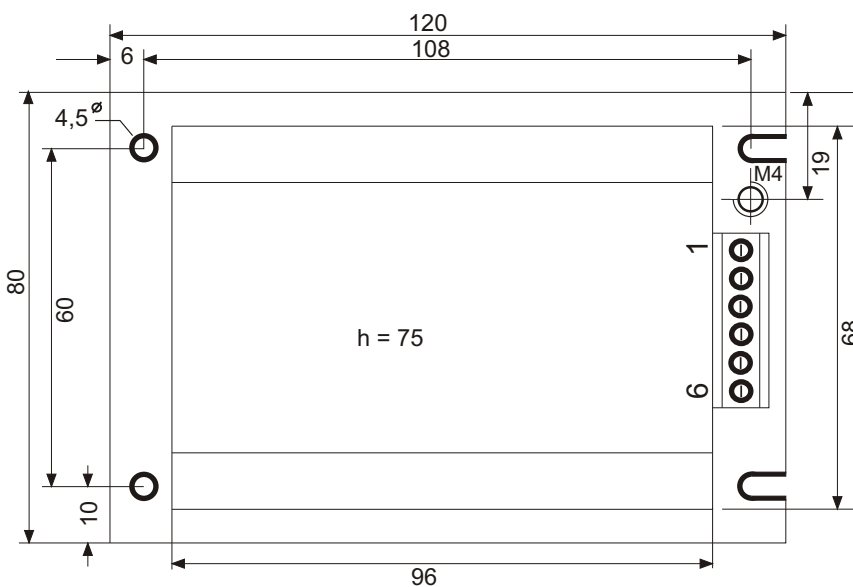
Pin. NO.	PIN FUNCTION
	SINGLE
1	+ INPUT
2	+ INPUT
3	- IN
4	- OUT
5	+ OUTPUT
6	+ OUTPUT

ALL DIMENSIONS IN MM
 Tolerance +/-0,5mm

Heatsink & Fixingplate:
 Aluminium 3mm

NOTE:

No input polarity change
 allowed !



Specification may be changed without notice
 please contact office for verification

We can offer EMC - Filter
 according to EN55011/22 Class B.