

unregulated

# INDUSTRIAL DC/DC Converters High reinforced

6 Watt  
 Series: LHVI

Applications:  
 - IGBT auxiliary supply  
 - medical application

and partial discharge free insulation

**EN50178 / EN50124-182 / EN61800-5**

### Electrical specifications:

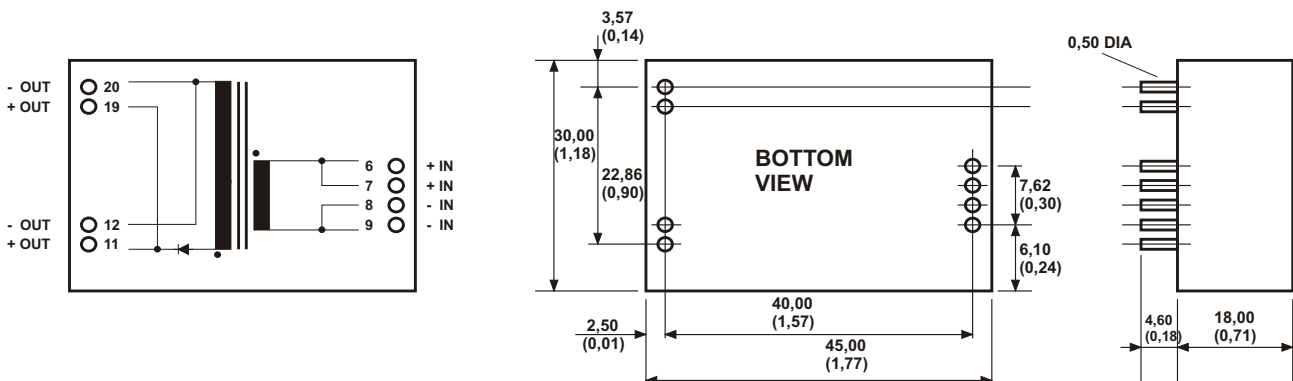
Output voltage accuracy:	unregulated	Efficiency:	up to 84%
Short circuit protection:	continuous	primary / secondary	
Operating temperature:	@ 24Vin: short-time	Insulation test voltage:	insulation test voltage 10 kV
Ambient temperature:	-40°C up to +95°C	Capacitance Prim/Sec:	du/dt...>100kV/μs
Optional:	-40°C to +71°C	Part-No.: /2	typ. <15pF
Part-No.: /8	-55°C to +85°C	Part-No.: /5	partial-discharge 2,3kV AC free (TE-frei)
	ambient temperature		5kV AC discharge free available

add insulation quality specifier to Part-No. e.g. /2

CAUTION: NO INPUT POLARITY CHANGE ALLOWED!

Part-No.	Input Voltage DC	Output Voltage DC	Output current mA
LHVI-05yy	4,75V - 5,5V	3,3 V	1800mA
LHVI-12yy	10,8V - 13,2V	5 V	1100mA
LHVI-15yy	13,5V - 16,5V	12 V	500mA
LHVI-24yy	21,6V - 26,4V	15 V	400mA

**Any other IN & OUTPUT voltage available !!**



additional 220μF input & output capacitors recommended  
 ripple & noise depend on load & external capacitors

ALL DIMENSIONS IN MM (INCHES)  
 MILLIMETERS +/- 0,5mm  
 (INCHES +/- 0,02")  
 All pins on a 2,54mm pitch.

Specification may be changed without notice  
 please contact office for verification

We can offer EMC - Filter  
 according to EN55011/22 Class B.

unregulated

# INDUSTRIAL DC/DC Converters

2x3 Watt = 6 Watt  
Series: LHVI

Applications:

- IGBT auxiliary supply
- medical application

High reinforced  
and partial discharge free insulation

**EN50178 / EN50124-182 / EN61800-5**

### Electrical specifications:

Output voltage accuracy:	unregulated	Efficiency:	up to 86%
Short circuit protection:	continuous @ 24Vin: short-time	Primary / Secondary:	insulation test voltage 10 kV du/dt...>100kV/μs
Operating temperature:	-40°C up to +95°C	Secondary 1/ Secondary 2:	insulation test voltage 10kV du/dt...>100kV/μs
Ambient temperature:	-40°C to +71°C	Capacitance Prim/Sec/Sec:	typical <15pF
Optional:		Part-No.: /2	partial-discharge 2,3kV AC free ( TE - frei )
Part-No.: /8	-55°C to +85°C ambient temperature	Part-No.: /5	5kV AC discharge free available
			add isolation quality specifier to part-no. e. g. /2
		Part-No.: /9	imbalanced outputs

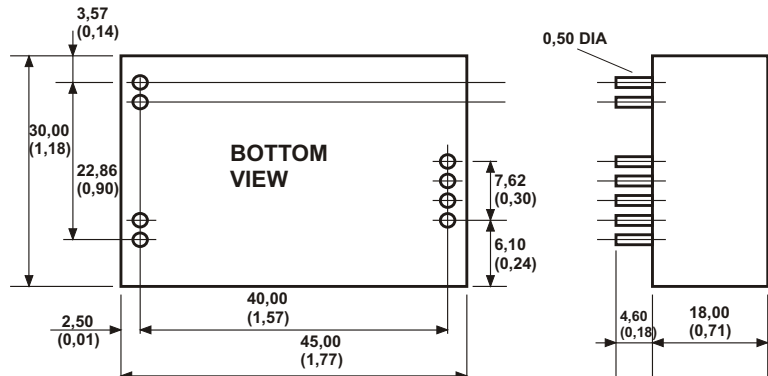
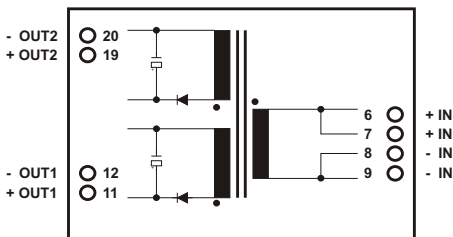
CAUTION: NO INPUT POLARITY CHANGE ALLOWED!

Part-No.	Input Voltage DC	Output Voltage DC	Output current mA
LHVI-051515	4,75V - 5,5V	15V / 15V	200mA / 200mA
LHVI-121515	10,8V - 13,2V	15V / 15V	200mA / 200mA
LHVI-151515	13,5V - 16,5V	15V / 15V	200mA / 200mA
LHVI-241515	21,6V - 26,4V	15V / 15V	200mA / 200mA

**any other IN & OUTPUT voltage available also with unequal output voltages !**

Example for imbalanced outputs:

LHVI-121515/9	10,8V - 13,2V	15V / 15V	U1 380mA 15,2V	U2 20mA 15,8V	18,3V 15,4V 80% ±0,4%
---------------	---------------	-----------	----------------------	---------------------	--------------------------------



ALL DIMENSIONS IN MM (INCHES)  
MILLIMETERS +/- 0,5mm  
(INCHES +/- 0,02")  
All pins on a 2,54mm pitch.

additional 220μF input & output capacitors recommended  
ripple & noise depend on load & external capacitors

Specification may be changed without notice  
please contact office for verification

We can offer EMC - Filter  
according to EN55011/22 Class B.