

unregulated

MEDICAL - INDUSTRIAL

DC/DC Converters

6 Watt

Series: MED-LHVI

Applications:

- IGBT auxiliary supply
- medical application

EN/UL/CSA 60601-1 & 2

REINFORCED INSULATION

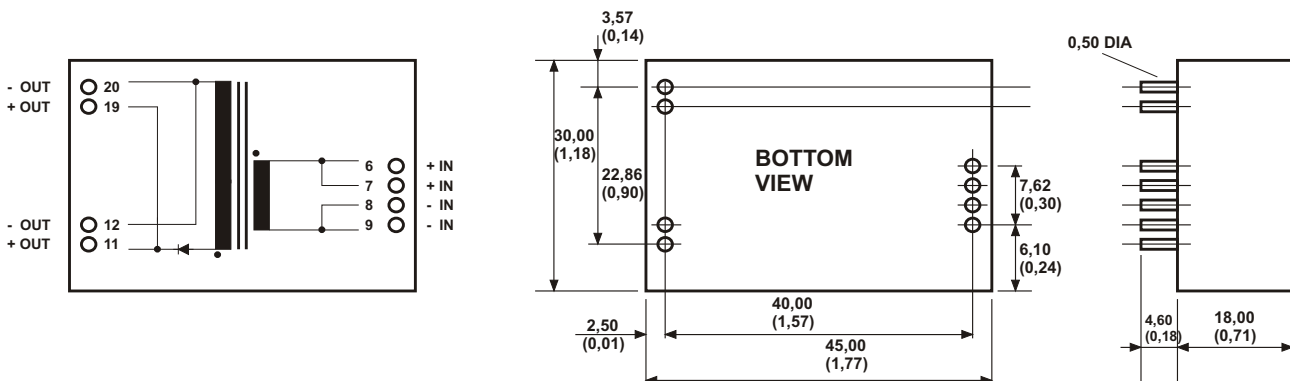
Electrical specifications:

Output voltage accuracy:	unregulated	Efficiency:	up to 85%
Short circuit protection:	continuous	primary / secondary	
Operating temperature:	@ 24Vin: short-time	Insulation test voltage:	4000V AC rms 1 min. type test
Ambient temperature:	-40°C up to +95°C	Insulation:	du/dt...>100kV/μs
Optional:	-40°C to +71°C	primary / secondary	1500V AC rms partial discharge free
Part-No.: /8	-55°C to +85°C	Capacitance Prim/Sec:	< 10pC
	ambient temperature		typ. <15pF

CAUTION: NO INPUT POLARITY CHANGE ALLOWED!

Part-No.	Input Voltage DC	Output Voltage DC	Output current mA
MED-LHVI-05yy	4,75V - 5,5V	3,3 V	1800mA
MED-LHVI-12yy	10,8V - 13,2V	5 V	1100mA
MED-LHVI-15yy	13,5V - 16,5V	12 V	500mA
MED-LHVI-24yy	21,6V - 26,4V	15 V	400mA
		24 V	250mA

Any other IN & OUTPUT voltage available !!



additional 220μF input & output capacitors recommended
 ripple & noise depend on load & external capacitors

ALL DIMENSIONS IN MM (INCHES)
 MILLIMETERS +/- 0,5mm
 (INCHES +/- 0,02")
 All pins on a 2,54mm pitch.

Specification may be changed without notice
 please contact office for verification

We can offer EMC - Filter
 according to EN55011/22 Class B.

unregulated

MEDICAL - INDUSTRIAL

DC/DC Converters

2x3 Watt = 6 Watt
 Series: MED-LHVI

Applications:

- IGBT auxiliary supply
- medical application

EN/UL/CSA 60601-1 & 2

REINFORCED INSULATION

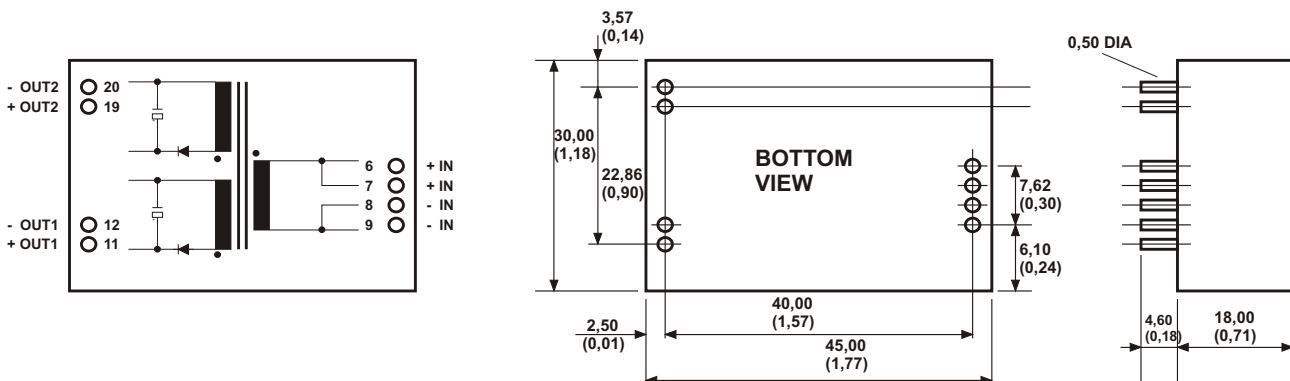
Electrical specifications:

Output voltage accuracy:	unregulated	Efficiency:	up to 83%
Short circuit protection:	continuous	primary / secondary	
Operating temperature:	@ 24Vin: short-time	Insulation test voltage:	4000V AC rms 1 min. type test
Ambient temperature:	-40°C up to +95°C	Insulation:	du/dt...>100kV/μs
Optional:	-40°C to +71°C	Capacitance Prim/Sec:	1500V AC rms partial discharge free
Part-No.: /8	-55°C to +85°C		typ. <15pF
	ambient temperature		

CAUTION: NO INPUT POLARITY CHANGE ALLOWED!

Part-No.	Input Voltage DC	Output Voltage DC	Output current mA
MED-LHVI-051515	4,75V - 5,5V	15V / 15V	200mA / 200mA
MED-LHVI-121515	10,8V - 13,2V	15V / 15V	200mA / 200mA
MED-LHVI-151515	13,5V - 16,5V	15V / 15V	200mA / 200mA
MED-LHVI-241515	21,6V - 26,4V	15V / 15V	200mA / 200mA

any other IN & OUTPUT voltage available also with unequal output voltages !



additional 220μF input & output capacitors recommended
 ripple & noise depend on load & external capacitors

ALL DIMENSIONS IN MM (INCHES)
 MILLIMETERS +/- 0,5mm
 (INCHES +/- 0,02")
 All pins on a 2,54mm pitch.

Specification may be changed without notice
 please contact office for verification

We can offer EMC - Filter
 according to EN55011/22 Class B.