

Stand: 10/17

Unregulated  
 Single Output  
 Case style: SIP 4

## COMMERCIAL - INDUSTRIAL DC/DC Converters Unregulated

1 Watt / 2 Watt  
 Series: SL4U

### Electrical specifications:

Input Voltage Range: +/- 10%  
 Output Voltage Accuracy: +/- 5% \*\*  
 Line Voltage Regulation:  
 1,8V, 3,3V, 5V output types: +/-1,3% Typ. / 1% of Vin max.  
 9V, 12V, 15V, 24V output types: +/-1,2% Typ. / 1% of Vin max.  
 Load Voltage Regulation:  
 1,8V, 3,3V output types: 20% max.  
 5V output type: 15% max.  
 9V, 12V, 15V, 24V output types: 10% max.  
 (10% to 100% full load)

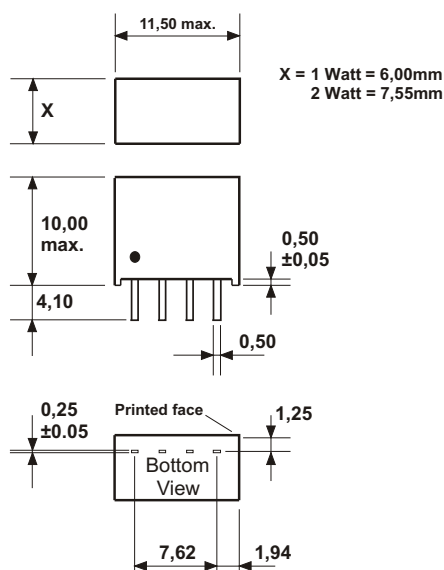
Operating Temperature: -40°C up to +85°C  
 Efficiency: up to 85%  
 Output Ripple & Noise: max. 100mVp-p (1W)  
 max. 200mVp-p (2W)  
 1,0 second  
 Short circuit protection: optional part-no. /S:  
 continuous  
 Isolation Voltage: min. 1000V DC  
 Part-No.: /2 0,25W  
 Part-No.: /5 0,5W

\*\* Note: Measured @25°C with the condition of Vin = nominal and full load

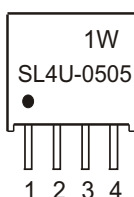
**CAUTION: NO INPUT POLARITY CHANGE ALLOWED!**

			1 Watt				2 Watt
Part-No.	Input Voltage (VDC)	Output Voltage (VDC)	Output Current (mA)	Part-No.	Input Voltage (VDC)	Output Voltage (VDC)	Output Current (mA)
SL4U-xx01,8 1W	1,8, 3,3, 5, 9, 12, 15, 24	1,8	555	SL4U-xx03,3 2W	5, 9, 12, 15, 24	3,3	606
SL4U-xx03,3 1W	1,8, 3,3, 5, 9, 12, 15, 24	3,3	303	SL4U-xx05 2W	5, 9, 12, 15, 24	5	400
SL4U-xx05 1W	1,8, 3,3, 5, 9, 12, 15, 24	5	200	SL4U-xx07 2W	5, 9, 12, 15, 24	7	285
SL4U-xx07 1W	5, 9, 12, 15, 24	7	143	SL4U-xx09 2W	5, 9, 12, 15, 24	9	222
SL4U-xx09 1W	1,8, 3,3, 5, 9, 12, 15, 24	9	110	SL4U-xx12 2W	5, 9, 12, 15, 24	12	166
SL4U-xx12 1W	1,8, 3,3, 5, 9, 12, 15, 24	12	83	SL4U-xx15 2W	5, 9, 12, 15, 24	15	132
SL4U-xx15 1W	1,8, 3,3, 5, 9, 12, 15, 24	15	66	SL4U-xx24 2W	5, 9, 12, 15, 24	24	83
SL4U-xx24 1W	1,8, 3,3, 5, 9, 12, 15, 24	24	42				

**Any other input or output voltages available**



### PIN CONNECTION:



- 1 = -Vin
- 2 = +Vin
- 3 = -Vout
- 4 = +Vout

ALL DIMENSIONS IN MM  
 Tolerance +/-0,25  
 All pins on a 2,54mm pitch  
 Dot denotes Pin 1

Additional output capacitor of 4,7µF will reduce ripple significantly, but is not demanded.

Input capacitor 4,7µF - 10µF recommended.

Specification may be changed without notice  
 please contact office for verification

We can offer EMC - Filter  
 according to EN55011/22 Class B.