

COMMERCIAL-INDUSTRIAL DC/DC Converters

Stand: 07/14

Unregulated
Case Style: SIP 7

1 Watt / 2 Watt
Series: S7U

Electrical specifications:

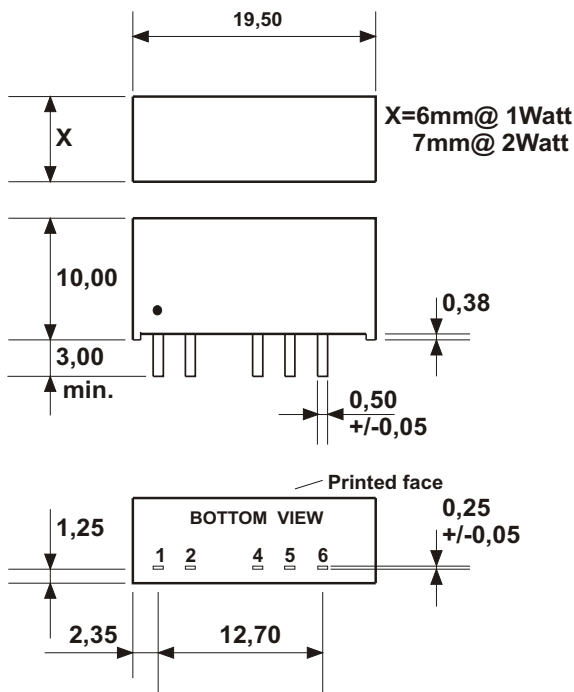
Input voltage range: +/- 10%
Output voltage accuracy: +/- 5% **
Line Voltage regulation: +/- 1,2% / 1% of Vin max.
Load Voltage regulation: 5V output type 15% max.
(10% to 100% full load) 9V ~ 24V output types 10% max.
Output Ripple & Noise: 1W; typ. 50mVp-p
2W; max. 150mVp-p

Efficiency: up to 85%
Short circuit protection: 1,0 second
optional (Part-No. /S): continuous
Operating temperature: -40°C to +85°C
Isolation voltage: min. 1000V DC
Isolation optional (Part-No. /H): min. 2000V DC
Part-Nr. /2 0,25W output power
Part-Nr. /5 0,50W output power
Part-Nr. /7 0,75W output power

** Note: Measured @25°C with the condition
of Vin = nominal and full load

CAUTION: NO INPUT POLARITY CHANGE ALLOWED!

Single Output			1 Watt	2 Watt	Dual Output			1 Watt	2 Watt
Part-No.	Input Voltage	Output Voltage	Output current	Output current	Part-No.	Input Voltage	Output Voltage	Output current	Output current
S7U-0505	5V	5V	200mA	400mA	S7U-0505D	5V	± 5V	+/-100mA	+/-200mA
S7U-0512		12V	83mA	166mA	S7U-0512D		±12V	+/- 41mA	+/- 83mA
S7U-0515		15V	66mA	132mA	S7U-0515D		±15V	+/- 33mA	+/- 66mA
S7U-1205	12V	5V	200mA	400mA	S7U-1205D	12V	± 5V	+/-100mA	+/-200mA
S7U-1212		12V	83mA	166mA	S7U-1212D		±12V	+/- 41mA	+/- 83mA
S7U-1215		15V	66mA	132mA	S7U-1215D		±15V	+/- 33mA	+/- 66mA
S7U-1505	15V	5V	200mA	400mA	S7U-1505D	15V	± 5V	+/-100mA	+/-200mA
S7U-1512		12V	83mA	166mA	S7U-1512D		±12V	+/- 41mA	+/- 83mA
S7U-1515		15V	66mA	132mA	S7U-1515D		±15V	+/- 33mA	+/- 66mA
S7U-2405	24V	5V	200mA	400mA	S7U-2405D	24V	± 5V	+/-100mA	+/-200mA
S7U-2412		12V	83mA	166mA	S7U-2412D		±12V	+/- 41mA	+/- 83mA
S7U-2415		15V	66mA	132mA	S7U-2415D		±15V	+/- 33mA	+/- 66mA
S7U-2424		24V	41mA	83mA					



Any other input or output voltages available

PIN CONNECTION			
PIN	SINGLE	SINGLE A	DUAL
1	VCC	VCC	VCC
2	GND	GND	GND
4	NC	-Vout	-Vout
5	-Vout	NP	COM
6	+Vout	+Vout	+Vout

Add "A" to the end of Partnumber.
For example S7U-0505A 1Watt

Add "/S" to the end of Partnumber
for short circuit protection.
For example: S7U-0505/S 1W

ALL DIMENSIONS IN MM
Tolerance +/- 0,25mm
All pins on a 2,54mm pitch
NC = No connection, NP = No pin

NOTE: Input and output capacitor
4,7µF - 10µF recommended.
Dot denotes pin 1
2 Watt version less stressable
than 1 Watt Version

Specification may be changed without notice
please contact office for verification

We can offer EMC - Filter
according to EN55011/22 Class B.

Unregulated
 Case Style: SIP 7

COMMERCIAL-INDUSTRIAL **1 Watt / 2 Watt**
DC/DC Converters **Series: S7U-xyyyB/H**

Electrical specifications:

Input voltage range: +/- 10%
 Output voltage accuracy: +/- 5% **
 Line Voltage regulation: +/- 1,2% / 1% of Vin max.
 Load Voltage regulation: 5V output type 15% max.
 (10% to 100% full load) 9V ~ 24V output types 10% max.
 Efficiency: up to 84%

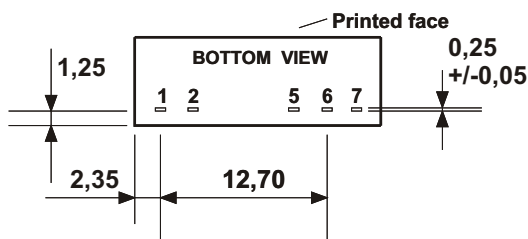
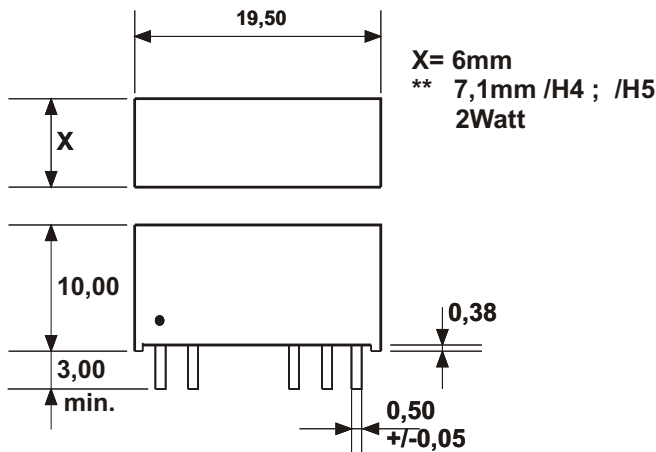
Output Ripple & Noise: max. 100mVp-p (single output)
 max. +/- 75mVp-p (dual output)
 Short circuit protection: 1,0 second
 Optional Part-No. /S: continuous
 Operating temperature: -40°C to +85°C
 Isolation voltage: min. 3000V DC
 **Optional Part-No. /H4: 4000V DC
 **Optional Part-No. /H5: 5200V DC (1Watt output power)

CAUTION: NO INPUT POLARITY CHANGE ALLOWED!

** Note: Measured @25°C with the condition
 of Vin = nominal and full load

			1 Watt	2 Watt				1 Watt	2 Watt
Part-No. Single Output	Input Voltage	Output Voltage	Output current	Output current	Part-No. Dual Output	Input Voltage	Output Voltage	Output current	Output current
S7U-0505B/H S7U-0512B/H S7U-0515B/H	5V	5V 12V 15V	200mA 83mA 66mA	400mA 167mA 133mA	S7U-0505DB/H S7U-0512DB/H S7U-0515DB/H	5V	+/- 5V +/-12V +/-15V	+/-100mA +/- 41mA +/- 33mA	+/-200mA +/- 82mA +/- 66mA
S7U-1205B/H S7U-1212B/H S7U-1215B/H	12V	5V 12V 15V	200mA 83mA 66mA	400mA 167mA 133mA	S7U-1205DB/H S7U-1212DB/H S7U-1215DB/H	12V	+/- 5V +/-12V +/-15V	+/-100mA +/- 41mA +/- 33mA	+/-200mA +/- 82mA +/- 66mA
S7U-1505B/H S7U-1512B/H S7U-1515B/H	15V	5V 12V 15V	200mA 83mA 66mA	400mA 167mA 133mA	S7U-1505DB/H S7U-1512DB/H S7U-1515DB/H	15V	+/- 5V +/-12V +/-15V	+/-100mA +/- 41mA +/- 33mA	+/-200mA +/- 82mA +/- 66mA
S7U-2405B/H S7U-2412B/H S7U-2415B/H	24V	5V 12V 15V	200mA 83mA 66mA	400mA 167mA 133mA	S7U-2405DB/H S7U-2412DB/H S7U-2415DB/H	24V	+/- 5V +/-12V +/-15V	+/-100mA +/- 41mA +/- 33mA	+/-200mA +/- 82mA +/- 66mA

Any other input & output voltage available !



PIN CONNECTION		
PIN	SINGLE	DUAL
1	VCC	VCC
2	GND	GND
3	NP	NP
4	NP	NP
5	-Vout	-Vout
6	NP	COM
7	+Vout	+Vout

ALL DIMENSIONS IN MM
 Tolerance +/- 0,25mm
 All pins on a 2,54mm pitch
 NC = No connection, NP = No pin

NOTE: Input and output capacitor
 4,7µF - 10µF recommended.
 Dot denotes pin 1

Specification may be changed without notice
 please contact office for verification

We can offer EMC - Filter
 according to EN55011/22 Class B.

Stand: 12/15

Unregulated
Case Style: SIP 7

COMMERCIAL-INDUSTRIAL DC/DC Converters Series: S7U-xyxyB/EN

EN-60950

Electrical specifications:

Input voltage range: +/- 10%
Output voltage accuracy: +/- 5%
Line Voltage regulation: +/- 1,2% / 1% of Vin typ.
Load Voltage regulation: 3,3V,5V output types 15% max.
(10% to 100% full load) other output types 10% max.
Efficiency at full Load: up to 80%

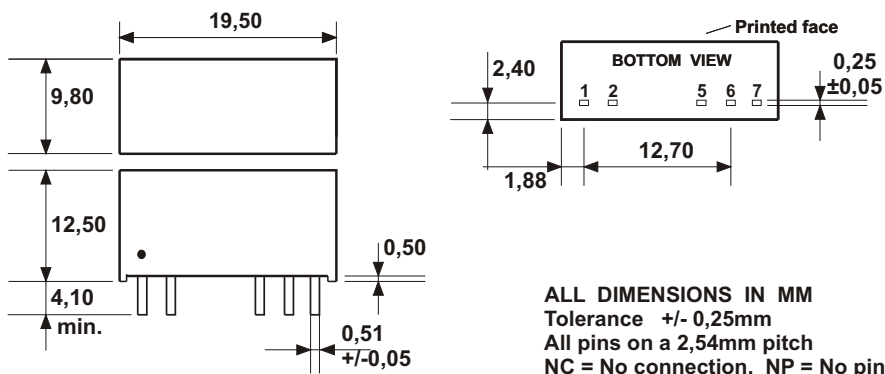
Output Ripple & Noise: max. 200mVp-p
Short circuit protection: 1,0 second
*S-Suffix: continuous
Operating temperature: -40°C to +85°C
Isolation voltage: min. 5200V DC
Isolation capacitance: 1,5pF min. / 10pF max.

* Add "S" to the end of Partnumber.
For example S7U-0509DBS/EN 2W

CAUTION: NO INPUT POLARITY CHANGE ALLOWED!

		1 Watt		2 Watt				1 Watt		2 Watt	
Part-No. Single Output	Input Voltage	Output Voltage	Output current	Output current	Part-No. Dual Output	Input Voltage	Output Voltage	Output current	Output current		
S7U-0503,3B/EN S7U-0505B/EN S7U-0509B/EN S7U-0512B/EN S7U-0515B/EN	5V	3,3V 5V 9V 12V 15V	300mA 200mA 111mA 83mA 66mA	600mA 400mA 222mA 167mA 132mA	S7U-0503,3DB/EN S7U-0505DB/EN S7U-0509DB/EN S7U-0512DB/EN S7U-0515DB/EN	5V	+/- 3,3V +/- 5V +/- 9V +/-12V +/-15V	+/-150mA +/-100mA +/- 56mA +/- 42mA +/- 33mA	+/-300mA +/-200mA +/-111mA +/- 85mA +/- 66mA		
S7U-0903,3B/EN S7U-0905B/EN S7U-0909B/EN S7U-0912B/EN S7U-0915B/EN	9V	3,3V 5V 9V 12V 15V	300mA 200mA 111mA 83mA 66mA	600mA 400mA 222mA 167mA 132mA	S7U-0903,3DB/EN S7U-0905DB/EN S7U-0909DB/EN S7U-0912DB/EN S7U-0915DB/EN	9V	+/- 3,3V +/- 5V +/- 9V +/-12V +/-15V	+/-150mA +/-100mA +/- 56mA +/- 42mA +/- 33mA	+/-300mA +/-200mA +/-111mA +/- 85mA +/- 66mA		
S7U-1203,3B/EN S7U-1205B/EN S7U-1209B/EN S7U-1212B/EN S7U-1215B/EN	12V	3,3V 5V 9V 12V 15V	300mA 200mA 111mA 83mA 66mA	600mA 400mA 222mA 167mA 132mA	S7U-1203,3DB/EN S7U-1205DB/EN S7U-1209DB/EN S7U-1212DB/EN S7U-1215DB/EN	12V	+/- 3,3V +/- 5V +/- 9V +/-12V +/-15V	+/-150mA +/-100mA +/- 56mA +/- 42mA +/- 33mA	+/-300mA +/-200mA +/-111mA +/- 85mA +/- 66mA		
S7U-1503,3B/EN S7U-1505B/EN S7U-1509B/EN S7U-1512B/EN S7U-1515B/EN	15V	3,3V 5V 9V 12V 15V	300mA 200mA 111mA 83mA 66mA	600mA 400mA 222mA 167mA 132mA	S7U-1503,3DB/EN S7U-1505DB/EN S7U-1509DB/EN S7U-1512DB/EN S7U-1515DB/EN	15V	+/- 3,3V +/- 5V +/- 9V +/-12V +/-15V	+/-150mA +/-100mA +/- 56mA +/- 42mA +/- 33mA	+/-300mA +/-200mA +/-111mA +/- 85mA +/- 66mA		
S7U-2403,3B/EN S7U-2405B/EN S7U-2409B/EN S7U-2412B/EN S7U-2415B/EN	24V	3,3V 5V 9V 12V 15V	300mA 200mA 111mA 83mA 66mA	600mA 400mA 222mA 167mA 132mA	S7U-2403,3DB/EN S7U-2405DB/EN S7U-2409DB/EN S7U-2412DB/EN S7U-2415DB/EN	24V	+/- 3,3V +/- 5V +/- 9V +/-12V +/-15V	+/-150mA +/-100mA +/- 56mA +/- 42mA +/- 33mA	+/-300mA +/-200mA +/-111mA +/- 85mA +/- 66mA		

Any other input & output voltage available !



PIN CONNECTION		
PIN	SINGLE	DUAL
1	VCC	VCC
2	GND	GND
3	NP	NP
4	NP	NP
5	-Vout	-Vout
6	NP	COM
7	+Vout	+Vout

NOTE:
Input and output capacitor
4,7µF - 10µF recommended.
Dot denotes pin 1

Specification may be changed without notice
please contact office for verification

We can offer EMC - Filter
according to EN55011/22 Class B.

Unregulated
 Case Style: SIP 7

COMMERCIAL-INDUSTRIAL DC/DC Converters Isolated outputs

1 Watt / 2 Watt
 Series: S7U

Electrical specifications:

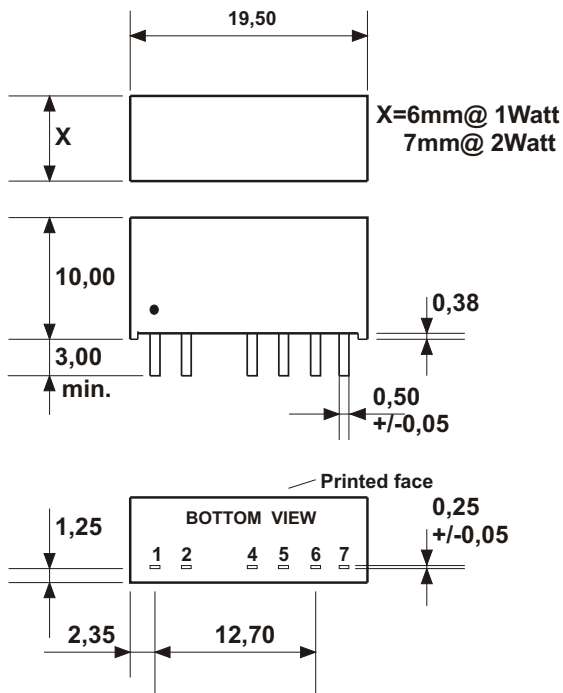
Input voltage range: +/- 10%
 Output voltage accuracy: +/- 5% **
 Line Voltage regulation: +/- 1,2% / 1% of Vin max.
 Load Voltage regulation: 5V output type 15% max.
 (10% to 100% full load) 9V ~ 24V output types 10% max.
 Efficiency at full load: typ. 80%

Output Ripple & Noise: 1W; max. 75mVp-p
 2W; max. 150mVp-p
 Short circuit protection: 1,0 second
 * S-Suffix: continuous
 Operating temperature: -40°C to +85°C
 Isolation voltage I/O: min. 1000V DC
 Isolation voltage O/O: min. 1000V DC

CAUTION: NO INPUT POLARITY CHANGE ALLOWED!

** Note: Measured @25°C with the condition of Vin = nominal and full load

Part-No. Dual output	Input Voltage	Output voltage DC	1 Watt	2 Watt
			Output current	Output current
S7U-050505 S7U-051212 S7U-051515	5V	5V / 5V	100mA / 100mA	200mA / 200mA
		12V / 12V	41mA / 41mA	83mA / 83mA
		15V / 15V	33mA / 33mA	66mA / 66mA
S7U-120505 S7U-121212 S7U-121515	12V	5V / 5V	100mA / 100mA	200mA / 200mA
		12V / 12V	41mA / 41mA	83mA / 83mA
		15V / 15V	33mA / 33mA	66mA / 66mA
S7U-150505 S7U-151212 S7U-151515	15V	5V / 5V	100mA / 100mA	200mA / 200mA
		12V / 12V	41mA / 41mA	83mA / 83mA
		15V / 15V	33mA / 33mA	66mA / 66mA
S7U-240505 S7U-241212 S7U-241515	24V	5V / 5V	100mA / 100mA	200mA / 200mA
		12V / 12V	41mA / 41mA	83mA / 83mA
		15V / 15V	33mA / 33mA	66mA / 66mA



Any other input & output voltage available !

PIN CONNECTION	
PIN	SINGLE
1	VCC
2	GND
3	NP
4	+ OUT 1
5	- OUT 1
6	+ OUT 2
7	- OUT 2

ALL DIMENSIONS IN MM
 Tolerance +/- 0,25mm
 All pins on a 2,54mm pitch
 NC = No connection, NP = No pin

NOTE: Input and output capacitor
 4,7µF - 10µF recommended.
 Dot denotes pin 1

Specification may be changed without notice
 please contact office for verification

We can offer EMC - Filter
 according to EN55011/22 Class B.