

Stand: 16/12

COMMERCIAL DC/DC Converters PWM - regulated

**15 Watt
Series: FW2- /G**

Wide input range 2:1
Case style: 1" x 1"

Electrical specifications:

Input voltage:	wide 2:1
Input Pi-Filter:	
Output voltage accuracy:	+/- 2%
Line regulation:	+/- 0,5%
Load regulation:	+/- 0,5%
Minimum load:	10% of full load
Overload protection:	150% typ.

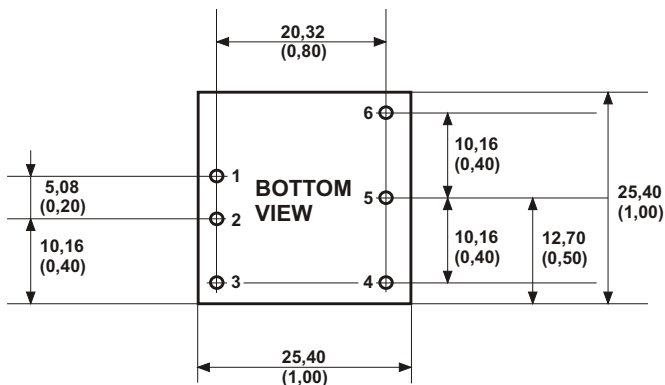
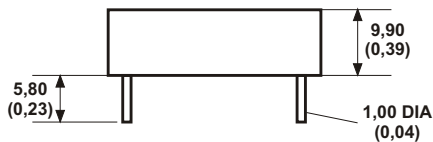
Efficiency:	typ. 88%
Output Ripple & Noise:	max. 100mVp-p continuous
Short circuit protection:	
Operating temperature:	-40°C to +100°C
Derating:	2,5% /°C from +60°C
Isolation voltage:	min. 1500V DC
Switching Frequency:	400KHz typ.

Six-sided metal shield

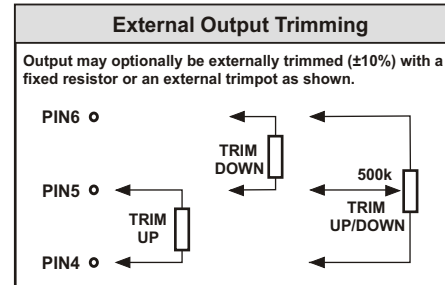
CAUTION: NO INPUT POLARITY CHANGE ALLOWED!

Part - No. Single	Input Voltage	Output Voltage	15 Watt
			Output Current
FW2-1205/G	12V DC (9-18V)	5V	3000mA
FW2-1212/G		12V	1250mA
FW2-1215/G		15V	1000mA
FW2-2405/G	24V DC (18-36V)	5V	3000mA
FW2-2412/G		12V	1250mA
FW2-2415/G		15V	1000mA
FW2-4803,3/G	48V DC (36-75V)	3,3V	4000mA
FW2-4805/G		5V	3000mA
FW2-4812/G		12V	1250mA
FW2-4815/G		15V	1000mA

Any other output voltages available
(for example 6,3V)



Remote On/Off Control	
Control Input	PIN3
Control Common	PIN2
Control Voltage	
ON	>+2,5VDC or Open Circuit
OFF	<+0,5VDC or Jumper to PIN 2
Converter Shutdown Idle Current	10mA
Logic Compatibility	CMOS or Open Collector TTL



PIN CONNECTION:

PIN	Single
1	+ Input
2	- Input
3	Remote On/Off
4	- Output
5	Trim
6	+ Output

ALL DIMENSIONS IN MM (INCHES)
MILLIMETERS +/-0,8mm
(INCHES +/- 0,03")

Specification may be changed without notice
please contact office for verification

We can offer EMC - Filter
according to EN55011/22 Class B.

COMMERCIAL DC/DC Converters PWM - regulated

**15 Watt
 Series: FW2- /G**

**Wide input range 2:1
 Case style: 1" x 1"**

Electrical specifications:

Input voltage: wide 2:1
 Input Pi-Filter:
 Output voltage accuracy: +/- 2%
 Line regulation: +/- 0,5%
 Load regulation: +/- 0,5%
 Minimum load: 10% of full load
 Overload protection: 150% typ.

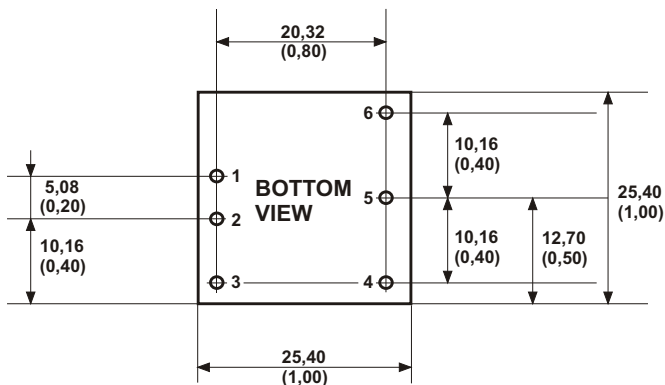
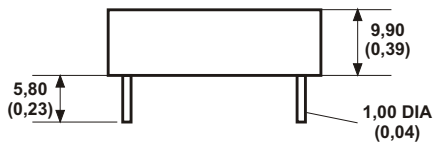
Efficiency: typ. 88%
 Output Ripple & Noise: max. 100mVp-p
 Short circuit protection: continuous
 Operating temperature: -40°C to +100°C
 Derating: 2,5% /°C from +60°C
 Isolation voltage: min. 1500V DC
 Switching Frequency: 400KHz typ.

Six-sided metal shield

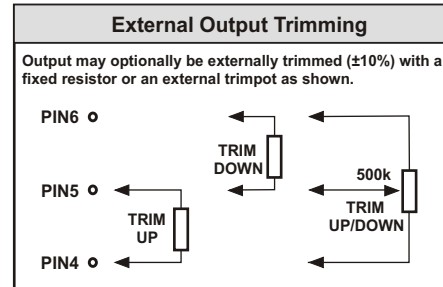
CAUTION: NO INPUT POLARITY CHANGE ALLOWED!

			15 Watt
Part - No. Single	Input Voltage	Output Voltage	Output Current
FW2-1205/G	12V DC (9-18V)	5V	3000mA
FW2-1212/G		12V	1250mA
FW2-1215/G		15V	1000mA
FW2-2405/G	24V DC (18-36V)	5V	3000mA
FW2-2412/G		12V	1250mA
FW2-2415/G		15V	1000mA
FW2-4803,3/G	48V DC (36-75V)	3,3V	4000mA
FW2-4805/G		5V	3000mA
FW2-4812/G		12V	1250mA
FW2-4815/G		15V	1000mA

Any other output voltages available
 (for example 6,3V)



Remote On/Off Control	
Control Input	PIN3
Control Common	PIN2
Control Voltage	
ON	>+2,5VDC or Open Circuit
OFF	<+0,5VDC or Jumper to PIN 2
Converter Shutdown Idle Current	10mA
Logic Compatibility	CMOS or Open Collector TTL



PIN CONNECTION:

PIN	Single
1	+ Input
2	- Input
3	Remote On/Off
4	- Output
5	Trim
6	+ Output

ALL DIMENSIONS IN MM (INCHES)
 MILLIMETERS +/-0,8mm
 (INCHES +/- 0,03")

Specification may be changed without notice
 please contact office for verification

We can offer EMC - Filter
 according to EN55011/22 Class B.