

Stand: 14/11

COMMERCIAL DC/DC Converters PWM - regulated

15 Watt
Series: EW2- /C

Wide input range 2:1
 Case style: 2" x 1"

Electrical specifications:

Input voltage: wide 2:1
 Input Pi-Filter:
 Output voltage accuracy: +/- 2%
 Minimum load: 10% of full load
 Line regulation: +/- 1%
 Load regulation: single output +/- 1% (25% to 100% load)
 dual output +/- 2% (25% to 100% load)

Efficiency: up to 87%
 Output Ripple & Noise: typ. 100mVp-p
 Short circuit protection: continuous
 Operating temperature: -40°C to +71°C
 Isolation voltage: min. 2000V DC
 Optional: Part-No. /H3 min. 3000V DC

Optional: Part-No. /X
 Five-sided metal shield

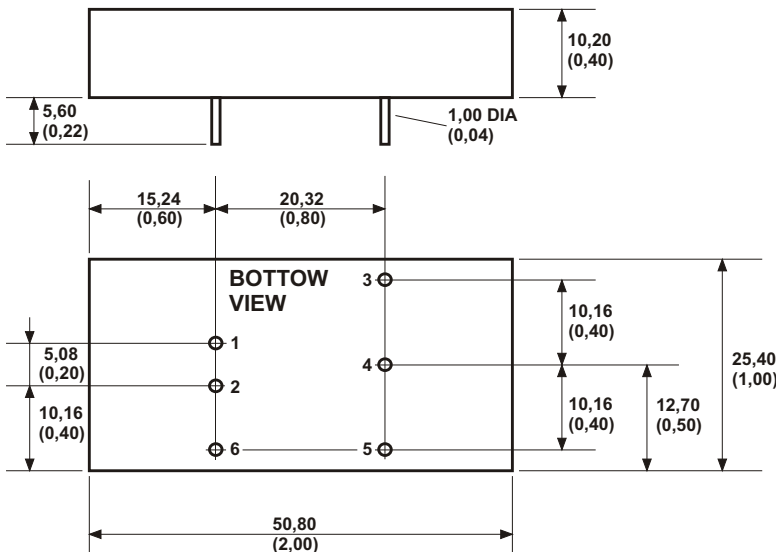
with CTRL pin

CAUTION: NO INPUT POLARITY CHANGE ALLOWED!

			15 Watt				15 Watt
Part - No. Single	Input Voltage	Output Voltage	Output Current	Part - No. Dual	Input Voltage	Output Voltage	Output Current
EW2-1203,3/C	12V DC (9-18V)	3,3V	3000mA	EW2-1205D/C	12V DC (9-18V)	+/- 5V	+/-1500mA
EW2-1205/C		5V	3000mA	EW2-1212D/C		+/-12V	+/- 625mA
EW2-1212/C		12V	1250mA	EW2-1215D/C		+/-15V	+/- 500mA
EW2-1215/C		15V	1000mA				
EW2-2403,3/C	24V DC (18-36V)	3,3V	3000mA	EW2-2405D/C	24V DC (18-36V)	+/- 5V	+/-1500mA
EW2-2405/C		5V	3000mA	EW2-2412D/C		+/-12V	+/- 625mA
EW2-2412/C		12V	1250mA	EW2-2415D/C		+/-15V	+/- 500mA
EW2-2415/C		15V	1000mA				
EW2-4803,3/C	48V DC (36-75V)	3,3V	3000mA	EW2-4805D/C	48V DC (36-75V)	+/- 5V	+/-1500mA
EW2-4805/C		5V	3000mA	EW2-4812D/C		+/-12V	+/- 625mA
EW2-4812/C		12V	1250mA	EW2-4815D/C		+/-15V	+/- 500mA
EW2-4815/C		15V	1000mA				

Any other output voltages available (for example 6,3V)

Remote ON / OFF
 DC-DC ON open or $3,5V < V_r < 12V$
 DC-DC OFF short or $0V < V_r < 1,2V$



PIN CONNECTION:		
PIN	Single	Dual
1	+ Input	+ Input
2	- Input	- Input
3	+ Output	+ Output
4	NO PIN	Common
5	- Output	- Output
6	CTRL (optional)	CTRL (optional)

ALL DIMENSIONS IN MM (INCHES)
 MILLIMETERS +/-0,5mm
 (INCHES +/- 0,02")

Specification may be changed without notice
 please contact office for verification

We can offer EMC - Filter
 according to EN55011/22 Class B.

Stand: 14/11

COMMERCIAL DC/DC Converters PWM - regulated

15 Watt
Series: EW2- /C

Wide input range 2:1
 Case style: 2" x 1"

Electrical specifications:

Input voltage: wide 2:1
 Input Pi-Filter:
 Output voltage accuracy: +/- 2%
 Minimum load: 10% of full load
 Line regulation: +/- 1%
 Load regulation: single output +/- 1% (25% to 100% load)
 dual output +/- 2% (25% to 100% load)

Efficiency: up to 87%
 Output Ripple & Noise: typ. 100mVp-p
 Short circuit protection: continuous
 Operating temperature: -40°C to +71°C
 Isolation voltage: min. 2000V DC
 Optional: Part-No. /H3 min. 3000V DC

Optional: Part-No. /X
 Five-sided metal shield

with CTRL pin

CAUTION: NO INPUT POLARITY CHANGE ALLOWED!

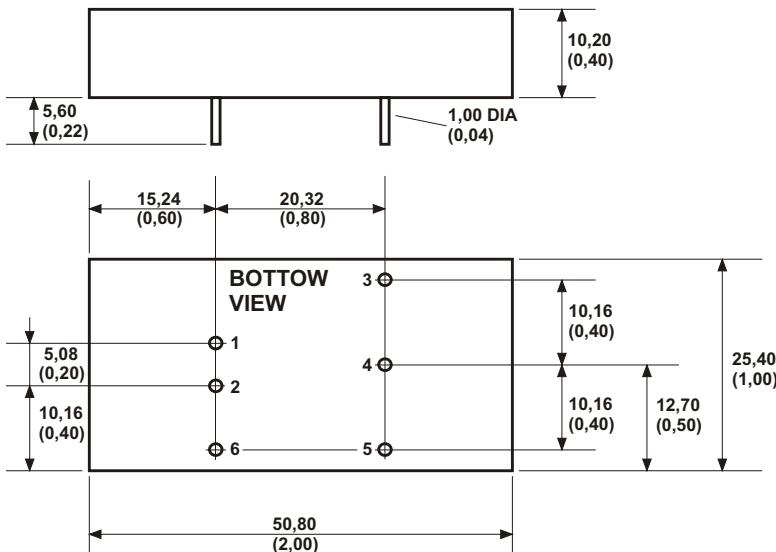
			15 Watt				15 Watt
Part - No. Single	Input Voltage	Output Voltage	Output Current	Part - No. Dual	Input Voltage	Output Voltage	Output Current
EW2-1203,3/C	12V DC (9-18V)	3,3V	3000mA	EW2-1205D/C EW2-1212D/C EW2-1215D/C	12V DC (9-18V)	+/- 5V	+/-1500mA
EW2-1205/C		5V	3000mA			+/-12V	+/- 625mA
EW2-1212/C		12V	1250mA			+/-15V	+/- 500mA
EW2-1215/C		15V	1000mA				
EW2-2403,3/C	24V DC (18-36V)	3,3V	3000mA	EW2-2405D/C EW2-2412D/C EW2-2415D/C	24V DC (18-36V)	+/- 5V	+/-1500mA
EW2-2405/C		5V	3000mA			+/-12V	+/- 625mA
EW2-2412/C		12V	1250mA			+/-15V	+/- 500mA
EW2-2415/C		15V	1000mA				
EW2-4803,3/C	48V DC (36-75V)	3,3V	3000mA	EW2-4805D/C EW2-4812D/C EW2-4815D/C	48V DC (36-75V)	+/- 5V	+/-1500mA
EW2-4805/C		5V	3000mA			+/-12V	+/- 625mA
EW2-4812/C		12V	1250mA			+/-15V	+/- 500mA
EW2-4815/C		15V	1000mA				

Any other output voltages available
 (for example 6,3V)

Remote ON / OFF

DC-DC ON
 DC-DC OFF

open or $3,5V < V_r < 12V$
 short or $0V < V_r < 1,2V$



PIN CONNECTION:

PIN	Single	Dual
1	+ Input	+ Input
2	- Input	- Input
3	+ Output	+ Output
4	NO PIN	Common
5	- Output	- Output
6	CTRL (optional)	CTRL (optional)

ALL DIMENSIONS IN MM (INCHES)
 MILLIMETERS +/-0,5mm
 (INCHES +/- 0,02")

Specification may be changed without notice
 please contact office for verification

We can offer EMC - Filter
 according to EN55011/22 Class B.

COMMERCIAL DC/DC Converters PWM - regulated

10 Watt /15 Watt
 Series: EW2- /G

Wide input range 1:2
 Case style: 2" x 1"

Electrical specifications:

Input voltage: wide 1:2
 Input Pi-Filter:
 Output voltage accuracy: +/- 2%
 Line regulation: +/- 0,5%
 Load regulation: +/- 0,5% (10% to 100% load)

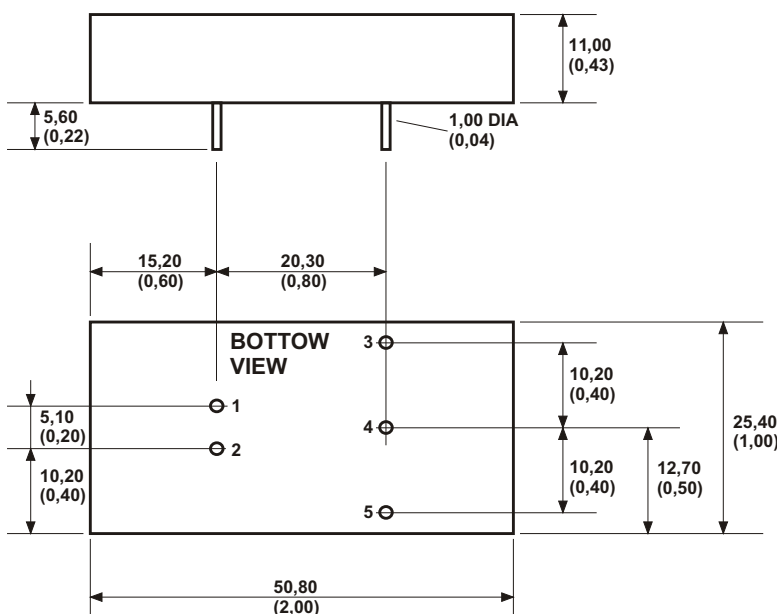
Efficiency: min. 74%
 Output Ripple & Noise: 100mVp-p max.
 Short circuit protection: continuous
 Operating temperature: -25°C to +71°C
 Isolation voltage: min. 1500V DC
 optional Part.No. /H3 min. 3000V DC
 Five-sided metal shield

CAUTION: NO INPUT POLARITY CHANGE ALLOWED!

			10 Watt	15 Watt				10 Watt	15 Watt
Part - No. Single	Input Voltage	Output Voltage	Output Current	Output Current	Part - No. Dual	Input Voltage	Output Voltage	Output Current	Output Current
EW2-1205/G	12V DC	5V	2000mA	3000mA	EW2-1205D/G	12V DC	+/- 5V	+/-1000mA	+/-1500mA
EW2-1212/G	(9-18V)	12V	830mA	1250mA	EW2-1212D/G	(9-18V)	+/-12V	+/- 416mA	+/- 625mA
EW2-1215/G		15V	670mA	1000mA	EW2-1215D/G		+/-15V	+/- 333mA	+/- 500mA
EW2-2405/G	24V DC	5V	2000mA	3000mA	EW2-2405D/G	24V DC	+/- 5V	+/-1000mA	+/-1500mA
EW2-2412/G	(18-36V)	12V	830mA	1250mA	EW2-2412D/G	(18-36V)	+/-12V	+/- 416mA	+/- 625mA
EW2-2415/G		15V	670mA	1000mA	EW2-2415D/G		+/-15V	+/- 333mA	+/- 500mA
EW2-4805/G	48V DC	5V	2000mA	3000mA	EW2-4805D/G	48V DC	+/- 5V	+/-1000mA	+/-1500mA
EW2-4812/G	(36-72V)	12V	830mA	1250mA	EW2-4812D/G	(36-72V)	+/-12V	+/- 416mA	+/- 625mA
EW2-4815/G		15V	670mA	1000mA	EW2-4815D/G		+/-15V	+/- 333mA	+/- 500mA

Input voltage range 4:1 (9-36V & 18-72V)
 also available !

Any other output voltages available
 (for example 6,3V)



PIN CONNECTION:		
PIN	Single	Dual
1	+ Input	+ Input
2	- Input	- Input
3	+ Output	+ Output
4	NO PIN	Common
5	- Output	- Output

ALL DIMENSIONS IN MM (INCHES)
 MILLIMETERS +/-0,5mm
 (INCHES +/- 0,02")

Specification may be changed without notice
 please contact office for verification

We can offer EMC - Filter
 according to EN55011/22 Class B.

Stand: 20/19

Wide input range 1:2
 Wide input range 1:4
 Case style: 2" x 1"

COMMERCIAL DC/DC Converters PWM - regulated

20Watt
 Series: EW2- /G
 EW4- /G

Electrical specifications:

Input voltage: wide 1:2 or 1:4
 Input Pi-Filter: .
 Output voltage accuracy: +/- 2% max.
 Line regulation: +/- 0,3% max.
 Load regulation: +/- 0,5% max.
 Minimum Load: 10% of full load

Efficiency: up to 90%
 Output Ripple & Noise: 150mVp-p max.
 Short circuit protection: continuous
 Operating temperature: -40°C to +75°C
 Isolation voltage: min. 1500V DC
 optional /X: with control-pin
 Six-sided metal shield

CAUTION: NO INPUT POLARITY CHANGE ALLOWED!

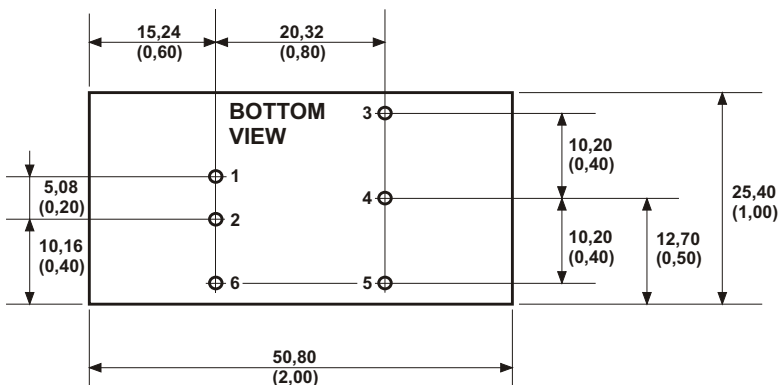
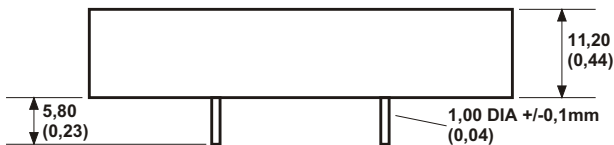
Part - No. Single	Input Voltage	Output Voltage	20 Watt		Part - No. Dual	Input Voltage	Output Voltage	20 Watt	
			Output Current	Output Current				Output Current	Output Current
EW2-1205/G	12V DC (9-18V)	5V	4000mA	EW2-1205D/G	12V DC (9-18V)	+/- 5V	+/-2000mA		
EW2-1212/G		12V	1660mA			EW2-1212D/G	+/-12V	+/- 830mA	
EW2-1215/G		15V	1330mA			EW2-1215D/G	+/-15V	+/- 660mA	
EW2-2405/G	24V DC (18-36V)	5V	4000mA	EW2-2405D/G	24V DC (18-36V)	+/- 5V	+/-2000mA		
EW2-2412/G		12V	1660mA			EW2-2412D/G	+/-12V	+/- 830mA	
EW2-2415/G		15V	1330mA			EW2-2415D/G	+/-15V	+/- 660mA	
EW2-4805/G	48V DC (36-72V)	5V	4000mA	EW2-4805D/G	48V DC (36-72V)	+/- 5V	+/-2000mA		
EW2-4812/G		12V	1660mA			EW2-4812D/G	+/-12V	+/- 830mA	
EW2-4815/G		15V	1330mA			EW2-4815D/G	+/-15V	+/- 660mA	

Any other output voltages available

Input voltage range 4:1 (9-36V & 18-72V)
 also available Part No. EW4-xyyy(D)/G 20W

Remote On/Off Control:

Control Input Pin 3
 Control Common Pin 2
 ON >+2,5VDC or Open Circuit
 OFF <+0,8VDC or Jumper to Pin 2
 Converter Shutdown idle Current 10mA
 Logic Compatibility CMOS or Open
 Collector TTL



PIN CONNECTION:		
PIN	Single	Dual
1	+ Input	+ Input
2	- Input	- Input
3	+ Output	+ Output
4	NO PIN/(Trim)	Common
5	- Output	- Output
6	CTRL	CTRL

ALL DIMENSIONS IN MM (INCHES)
 MILLIMETERS +/-0,8mm
 (INCHES +/- 0,03")

Specification may be changed without notice
 please contact office for verification

We can offer EMC - Filter
 according to EN55011/22 Class B.