

Stand: 11/14

Unregulated  
Case Style: SIP 7

# MEDICAL - INDUSTRIAL

## DC/DC Converters Series: MED-FS7U

### SHORT CIRCUIT PROOF

1 Watt

**EN/UL/CSA 60601-1 & 2**

**Electrical specifications:**

Input voltage range: +/- 10%  
Output voltage accuracy: +/- 2% (Vin=nominal & full load)  
Line Vin/Vout: +/- 1% / +/-1%  
Output voltage change: 3,3V, 5V types 15% max.  
(10% to 100% full Load) 9V ~ 24V output types 10% max.  
Efficiency: up to 80%  
Output Ripple & Noise: 150mVp-p

Temperature: Operating temperature -40°C to +95°C  
Ambient temperature -40°C to +71°C  
Short circuit protection: continuous  
Insulation test voltage: \* 2kV AC rms base insulation / supplement  
4mm clearance / creepage  
\* type test time 1 min.  
part test time 1 sec.

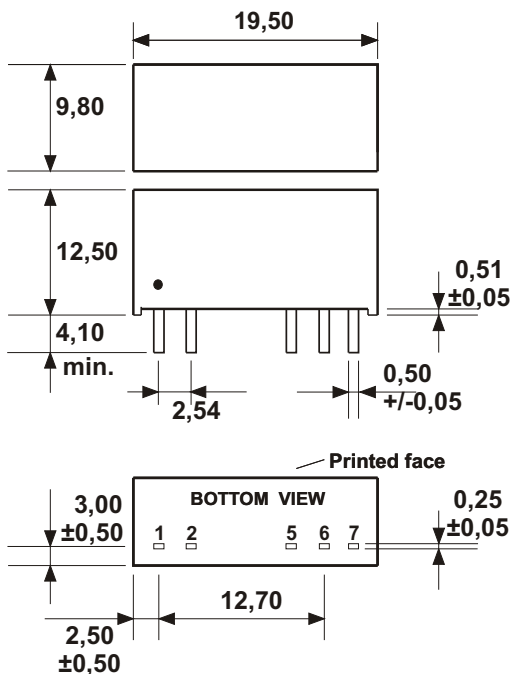
Optional: Part-No.: /2 0,25W output power  
Part-No.: /5 0,5W output power  
Part-No.: /7 0,75W output power  
Part-No.: /R 4kV AC rms Reinforced / double insulation  
8mm clearance / creepage

**CAUTION: NO INPUT POLARITY CHANGE ALLOWED!**

Part - No. Single Output	Input Voltage	Output Voltage	Output current	Part - No. Dual Output	Input Voltage	Output Voltage	Output current
MED-FS7U-0505 MED-FS7U-0512 MED-FS7U-0515	5V	5V 12V 15V	200mA 83mA 66mA	MED-FS7U-0505D MED-FS7U-0512D MED-FS7U-0515D	5V	+/- 5V +/-12V +/-15V	+/-100mA +/- 41mA +/- 33mA
MED-FS7U-1205 MED-FS7U-1212 MED-FS7U-1215	12V	5V 12V 15V	200mA 83mA 66mA	MED-FS7U-1205D MED-FS7U-1212D MED-FS7U-1215D	12V	+/- 5V +/-12V +/-15V	+/-100mA +/- 41mA +/- 33mA
MED-FS7U-1505 MED-FS7U-1512 MED-FS7U-1515	15V	5V 12V 15V	200mA 83mA 66mA	MED-FS7U-1505D MED-FS7U-1512D MED-FS7U-1515D	15V	+/- 5V +/-12V +/-15V	+/-100mA +/- 41mA +/- 33mA
MED-FS7U-2405 MED-FS7U-2412 MED-FS7U-2415	24V	5V 12V 15V	200mA 83mA 66mA	MED-FS7U-2405D MED-FS7U-2412D MED-FS7U-2415D	24V	+/- 5V +/-12V +/-15V	+/-100mA +/- 41mA +/- 33mA

**Any other input & output voltages available**

(for example 3,3V)



PIN CONNECTION / INSULATION			
PIN	SINGLE standard base insulation	SINGLE / R reinforced	DUAL standard base insulation
1	VCC	VCC	VCC
2	GND	GND	GND
3	NP	NP	NP
4	NP	NP	NP
5	-Vout	NP	-Vout
6	NP	-Vout	COM
7	+Vout	+Vout	+Vout

ALL DIMENSIONS IN MM  
MILLIMETERS +/- 0,25mm

All pins on a 2,54mm pitch

Note: NP = No pin; NC = No connection;

Dot denotes pin 1

Input capacitor 4,7µF - 10µF is a must.

All specifications typical @ Ta +25°C

Nom. Vin & full load, unless otherwise specified!

Specification may be changed without notice  
please contact office for verification

We can offer EMC - Filter  
according to EN55011/22 Class B.