

Linear-Regulated
 Case style: DIP24

INDUSTRIAL DC/DC Converters RAILWAY APPLICATION

3 Watt
 Series: CFH

EN/UL50124-1
reinforced insulation
and partial discharge free insulation

Electrical specifications:

Input voltage range:	+/- 5%	Operating temperature:	-40°C to +105°C
Output voltage accuracy:	+/- 5%	Ambient temperature:	-40°C to +71°C
Line regulation:	+/- 0,5%	Standard 1000V AC rms	partial-discharge free insulation
Load regulation:	+/- 0,5%	Pollution degree 3 / insulation group III	
Efficiency:	up to 75%	test voltage OV2:	7kV AC rms
Output Ripple & Noise:	typ. 50mVp-p	Case material:	black polycarbonate
Short circuit protection:	continuous / autorestart		

CAUTION: NO INPUT POLARITY CHANGE ALLOWED!

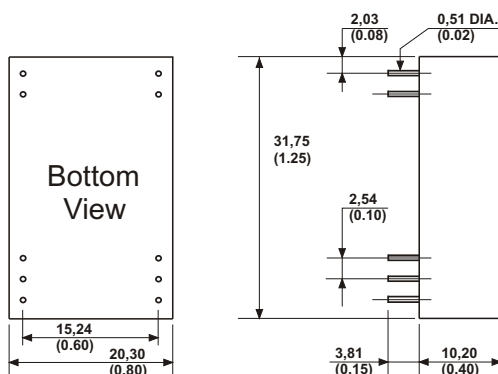
Part - No. Single	Input Voltage	Output Voltage	Output Current	Part - No. Dual	Input Voltage	Output Voltage	Output Current
CFH-0505	5V	5V	600mA	CFH-0505D	5V	+/- 5V	+/-300mA
CFH-0509		9V	330mA	CFH-0512D		+/-12V	+/-125mA
CFH-0512		12V	250mA	CFH-0515D		+/-15V	+/-100mA
CFH-0515		15V	200mA				
CFH-1205	12V	5V	600mA	CFH-1205D	12V	+/- 5V	+/-300mA
CFH-1209		9V	330mA	CFH-1212D		+/-12V	+/-125mA
CFH-1212		12V	250mA	CFH-1215D		+/-15V	+/-100mA
CFH-1215		15V	200mA				
CFH-2405	24V	5V	600mA	CFH-2405D	24V	+/- 5V	+/-300mA
CFH-2412		12V	250mA	CFH-2412D		+/-12V	+/-125mA
CFH-2415		15V	200mA	CFH-2415D		+/-15V	+/-100mA

All specifications typical @ T_a +25°C
 Nom. Vin & full load, unless otherwise specified!

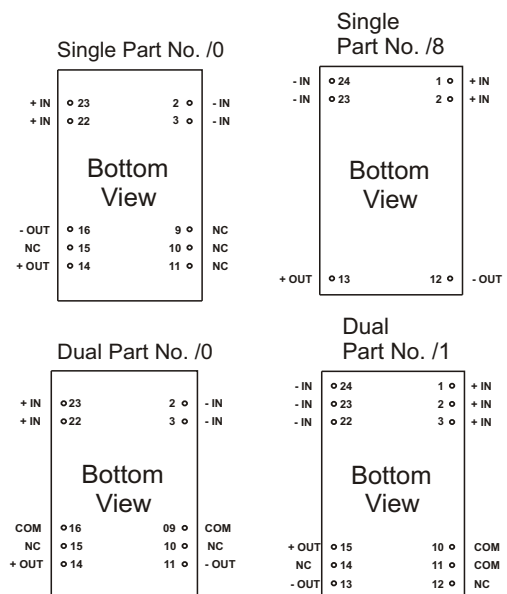
Any other output voltages available

PIN CONNECTION:

All pins on a 2,54mm pitch;
 NP = No Pin, NC = No connection



ALL DIMENSIONS IN MM (INCHES)
 MILLIMETERS +/- 0,25mm / INCHES +/- 0,01"



Specification may be changed without notice
 please contact office for verification

We can offer EMC - Filter
 according to EN55011/22 Class B.