

# MEDICAL - INDUSTRIAL DC/DC Converters

## EN/UL/CSA 60601-1 & 2 REINFORCED INSULATION

Stand: 07/14

Regulated  
 Case style: DIP24

2 Watt  
 Series: MED-CF

### Electrical specifications:

Input voltage range: -5% / +10%  
 Output voltage accuracy: +/- 5%  
 Line regulation: +/- 0,5%  
 Load regulation: +/- 0,5%  
 (10% ~ 100% full load)  
 Efficiency: up to 75%  
 Output Ripple & Noise: typ. 50mV p-p

Short circuit protection: continuous  
 Operating temperature: -40°C to +105°C  
 Ambient temperature: -40°C to +71°C  
 Insulation test voltage: 4kV AC rms \*  
 coupling capacitance: ~15pF  
 creepage distance: >8mm  
 Case material: black polycarbonate

\* type test time 1 min.  
 part test time 1 sec.

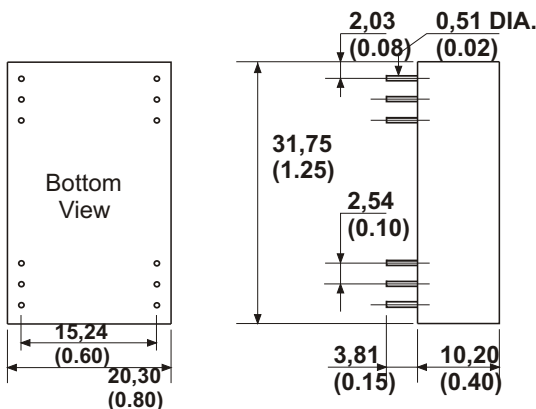
**CAUTION: NO INPUT POLARITY CHANGE ALLOWED!**

Part - No. Single	Input Voltage	Output Voltage	Output Current	Part - No. Dual	Input Voltage	Output Voltage	Output Current
MED-CF-0505	5V	5V	400mA	MED-CF-0505D	5V	+/- 5V	+/-200mA
MED-CF-0509		9V	222mA	MED-CF-0512D		+/-12V	+/- 83mA
MED-CF-0512		12V	166mA	MED-CF-0515D		+/-15V	+/- 66mA
MED-CF-0515		15V	132mA				
MED-CF-1205	12V	5V	400mA	MED-CF-1205D	12V	+/- 5V	+/-200mA
MED-CF-1209		9V	222mA	MED-CF-1212D		+/-12V	+/- 83mA
MED-CF-1212		12V	166mA	MED-CF-1215D		+/-15V	+/- 66mA
MED-CF-1215		15V	132mA				
MED-CF-2405	24V	5V	400mA	MED-CF-2405D	24V	+/- 5V	+/-200mA
MED-CF-2412		12V	166mA	MED-CF-2412D		+/-12V	+/- 83mA
MED-CF-2415		15V	132mA	MED-CF-2415D		+/-15V	+/- 66mA
MED-CF-4805	48V	5V	400mA	MED-CF-4805D	48V	+/- 5V	+/-200mA
MED-CF-4812		12V	166mA	MED-CF-4812D		+/-12V	+/- 83mA
MED-CF-4815		15V	132mA	MED-CF-4815D		+/-15V	+/- 66mA

All specifications typical @ Ta +25°C  
 Nom. Vin & full load, unless otherwise specified!

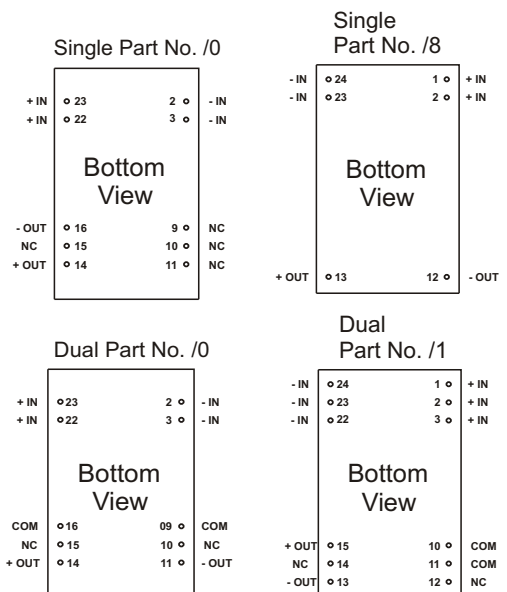
**Any other output voltages available**

### PIN CONNECTION:



All pins on a 2,54mm pitch;  
 NP = No Pin, NC = No connection

ALL DIMENSIONS IN MM (INCHES)  
 MILLIMETERS +/- 0,25mm / INCHES +/- 0,01"



Specification may be changed without notice  
 please contact office for verification

We can offer EMC - Filter  
 according to EN55011/22 Class B.