

INDUSTRIAL & AUTOMOTIVE DC/DC Converters

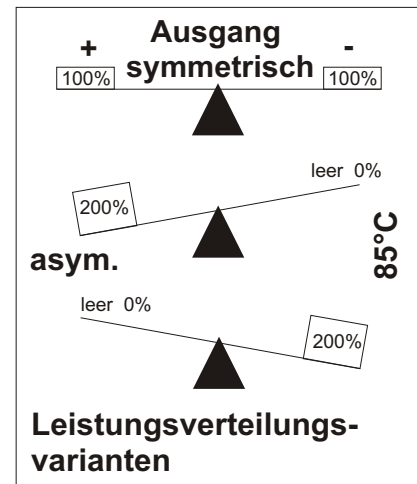
HIFLEX - POWER SERIE 3Watt

Specials made to fit up to 100°C ambient temperature

Dual - In - Line Gehäuse DIP 24
ca. 31 x 20 x 10mm

- a) Standard im Kunststoffgehäuse (Polycarbonat) Serie CSK
- b) Metallgehäuse schwarz Serie CMK (CMKA)

1. Die Serien CSK und CMK (CMKA) können "asymmetrisch" belastet werden, siehe Bild.
2. Standard Leistung 3W erlaubt Umgebungstemperaturen bis 71°C ohne Leistungsabschlag (ohne Derating). Dabei können unsere Wandler eine Arbeitstemperatur von bis zu +105°C erreichen.
3. Wandler für Umgebungstemperaturen bis +85°C
4. PI - Filter in den Ausgängen dämpfen Rauschen und Restwelligkeit auf 30mVss.
5. PI - Filter im Eingang mindern die Rückschlagimpulse auf die Eingangsspannung auf angemessene Werte, so daß Ihre vorgelagerten Schaltkreise keine negative Beeinflussung erfahren.
6. Ausgangsspannungstoleranz beträgt Standard +/-3%, linear geregelt, 2% oder 1% auch möglich.
7. Die Eingangsspannungstoleranz beträgt +/-10% bei 5V eingeschränkt -5% / +10%. Zur Optimierung der Leistung und des Wirkungsgrades können alle Parameter gemäß den Anforderungen verschoben werden.
8. Thermischer Überlastschutz ist gegeben.
9. Elektronische Kurzschlußsicherung, schaltet im Kurzschlußfall den Lastkreis voll ab und schützt somit Ihre Schaltkreise. Reset durch AUS - EIN der Eingangsspannung.



TRANSFORMATION - ISOLIERUNG - KURZSCHLUßSCHUTZ

Umgebungstemp. = Ambient Temp.
CSK/CMK: -40°C bis +71°C
CMKA: -55°C bis +85°C

- a) Standard polycarbonate package, molded acc. UL 94V - 0 series CSK
- b) Black anodized metal case series CMK (CMKA)

1. Both CSK and CMK (CMKA) can be charged asymmetricly up to 200%
2. Standard 3W can be operated at 71°C ambient temperature without any derating while operating temperature may reach 105°C
3. -55°C to +85°C for automotive applications.
4. Both outputs are pi-filtered, ripple & noise average 30mV
5. Input pi-filter applied to reduce reflected ripple & noise to none-harming values acc. to input voltage size.
6. Standard output tolerance 3% linear regulated, 2% and 1% tol. on request.
7. Input voltage tolerance +/-10% -5 / +10% at 5V input only.
All parameters can be shifted to your specific demands.
8. Thermal protection is given.
9. Electronic fuse integrated to give 100% short circuit protection.
Reset by switching input voltage OFF / ON

CSK : High power, high ambient temperature, industrial use
CMK: High or low power, high ambient temperature, low EMI
as required for A/D and D/A converter applications

INDUSTRIAL & AUTOMOTIVE

Stand: 13/13

Regulated
Case style: DIP24

DC/DC Converters

3 Watt
Series:
CSK / CMK / CMKA
1CSK / 1CMK / 1CMKA

Electrical specifications:

Output voltage accuracy: +/- 3%
Line regulation: +/- 0,3%
Load regulation: +/- 0,5%
Operating temperature: -40°C up to +105°C
Ambient temperature:
CSK / CMK -40°C to +71°C
CMKA -55°C to +85°C
Efficiency: up to 74%
Ripple & Noise: typ. 50mVp-p

Short circuit switch-off
Short circuit proof & auto-restart (1CSK/1CMK/1CMKA-series)
Over load protection Thermal shut down
rel. humidity: 93% / 40°C
Shock proof acc.: IEC 68-2-34
Flameability: UL - 94V -0
Insulation test voltage: 1000V DC
Part-Nr. /3 Insulation optional 3000V AC rms (only CSK)
Case material:
(1)CSK polycarbonat
(1)CMK / (1)CMKA metal

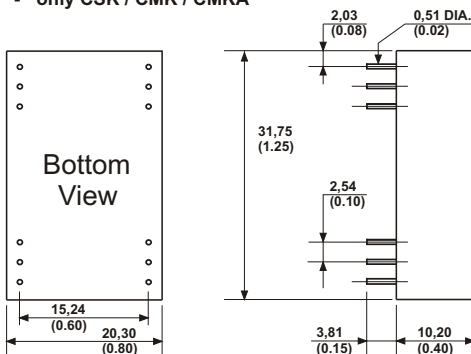
CAUTION: NO INPUT POLARITY CHANGE ALLOWED!

All specifications typical @ Ta +25°C
Nom. Vin & full load, unless otherwise specified!

Part - No. Single and Dual	Input voltage	Input Voltage	Output Voltage	Output Current	Overcurrent Short circuit cut off ²
CSK/CMK/CMKA05-3-0505D-3	-5% / +10%	5V	+/- 5V*	+/-300mA	120 %
CSK/CMK/CMKA05-3-0512D-3	-5% / +10%		+/-12V	+/-125mA	120 %
CSK/CMK/CMKA05-3-0515D-3	-5% / +10%		+/-15V	+/-100mA	120 %
CSK/CMK/CMKA10-3-1205D-3	+/-10%	12V	+/- 5V*	+/-300mA	120 %
CSK/CMK/CMKA10-3-1212D-3	+/-10%		+/-12V	+/-125mA	120 %
CSK/CMK/CMKA10-3-1215D-3	+/-10%		+/-15V	+/-100mA	120 %
CSK/CMK/CMKA10-3-1505D-3	+/-10%	15V	+/- 5V*	+/-300mA	120 %
CSK/CMK/CMKA10-3-1512D-3	+/-10%		+/-12V	+/-125mA	120 %
CSK/CMK/CMKA10-3-1515D-3	+/-10%		+/-15V	+/-100mA	120 %
CSK/CMK/CMKA10-3-2405D-3	+/-10%	24V	+/- 5V*	+/-300mA	120 %
CSK/CMK/CMKA10-3-2412D-3	+/-10%		+/-12V	+/-125mA	120 %
CSK/CMK/CMKA10-3-2415D-3	+/-10%		+/-15V	+/-100mA	120 %

Attention:

- don't change input polarity!
- * at unbalanced load of 5V - output types max. 2,4 Watt output power
- ² only CSK / CMK / CMKA

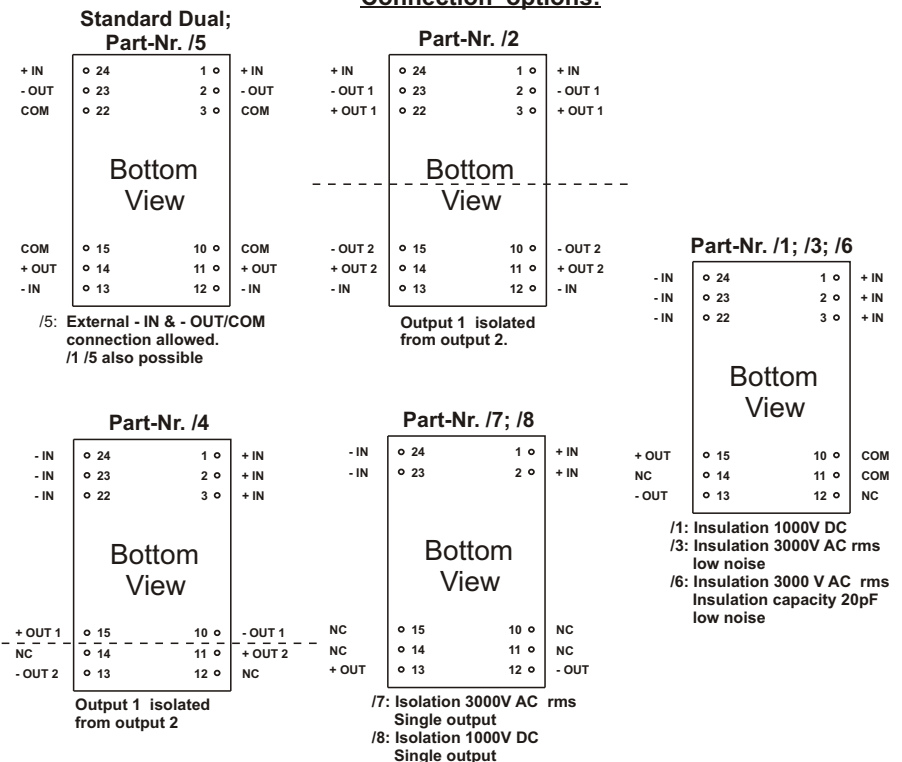


ALL DIMENSIONS IN MM (INCHES)
MILLIMETERS +/- 0,50mm
(INCHES +/- 0,02")

All pins on a 2,54mm pitch
Note: NC = No connection; NP = No pin
Dot denote pin 1

Special request: 1 CSK / 1CMK / 1CMKA
short circuit proof & auto-restart available.

Connection options:



Specification may be changed without notice
please contact office for verification

We can offer EMC - Filter
according to EN55011/22 Class B.

INDUSTRIAL & AUTOMOTIVE

3 Watt

Regulated
Case style: DIP24
Application: A/D conversion

DC/DC Converters

triple output

Series:
CSK / CMK / CMKA
1CSK / 1CMK / 1CMKA

Electrical specifications:

Input voltage range:
5V -5%+10%
12V, 15V, 24V +/- 10%

Output voltage accuracy: +/- 3% @ Uout 1&2
Line regulation: +/- 0,3%
Load regulation: +/- 0,5%
Operating temperature: -40°C up to +105°C
Ambient temperature:
CSK / CMK -40°C to +71°C
CMKA -55°C to +85°C

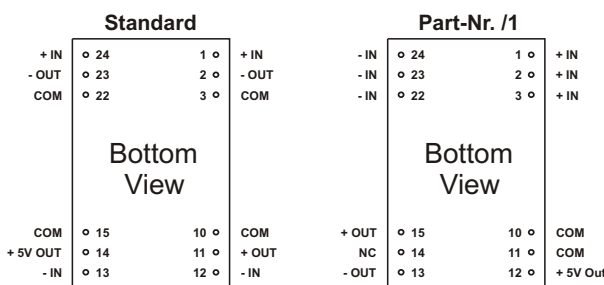
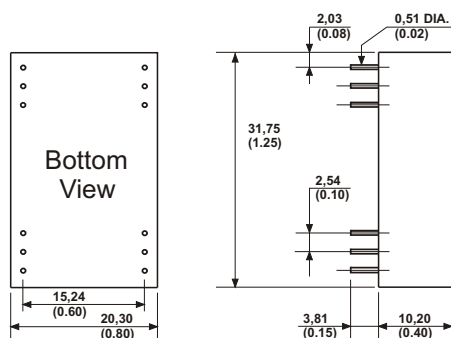
Efficiency: up to 73%
Ripple & Noise: typ. 50mVp-p

Short circuit switch-off
Short circuit proof & auto-restart (1CSK/1CMK/1CMKA-series)
Over load protection Thermal shut down
Over current /
Short circuit cut-off: 120%
rel. humidity: 93% / 40°C
Shock proof acc.: IEC 68-2-34
Flameability: UL - 94V -0
Insulation test voltage: 1000V DC
Part-Nr. /5 External -IN & -OUT/COM connection allowed
Case material:
CSK polycarbonat
CMK / CMKA metal

CAUTION: NO INPUT POLARITY CHANGE ALLOWED!

Part - No. Triple	Input Voltage	Output Voltage 1&2	max. Output Current 1&2	Output Voltage 3	max. Output Current 3
CSK/CMK/CMKA05-3-0512D05 CSK/CMK/CMKA05-3-0515D05	5V	+/-12V +/-15V	+/-125mA +/-100mA	5V 5V	100mA 100mA
CSK/CMK/CMKA10-3-1212D05 CSK/CMK/CMKA10-3-1215D05	12V	+/-12V +/-15V	+/-125mA +/-100mA	5V 5V	100mA 100mA
CSK/CMK/CMKA10-3-1512D05 CSK/CMK/CMKA10-3-1515D05	15V	+/-12V +/-15V	+/-125mA +/-100mA	5V 5V	100mA 100mA
CSK/CMK/CMKA10-3-2412D05 CSK/CMK/CMKA10-3-2415D05	24V	+/-12V +/-15V	+/-125mA +/-100mA	5V 5V	100mA 100mA

Connection options:

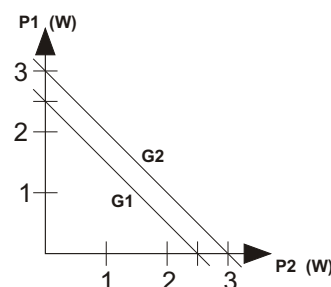


NOTE: Output voltage 3 is unregulated, without load $U_{Out3} \text{ max.} = 6,5V$.

ALL DIMENSIONS IN MM (INCHES)
MILLIMETERS +/- 0,50mm
(INCHES +/- 0,02")
All pins on a 2,54mm pitch
Note: NC = No connection; NP = No pin
Dot denote pin 1

Special request: 1 CSK / 1CMK / 1CMKA
short circuit proof & auto-restart available.

Output 1 = P1 0 - 3W } G2
Output 2 = P2 0 - 3W }
Output 3 = P3 0W }
Output 1 = P1 0 - 2,5W } G1
Output 2 = P2 0 - 2,5W }
Output 3 = P3 0,5W }



Specification may be changed without notice
please contact office for verification

We can offer EMC - Filter
according to EN55011/22 Class B.

INDUSTRIAL & AUTOMOTIVE

3 Watt

Regulated

DC/DC Converters

Series:

Case style: DIP24

triple output

CSK / CMK / CMKA

Application: A/D conversion

1CSK / 1CMK / 1CMKA

Electrical specifications:

Input voltage range:
 5V -5%+10%
 12V, 15V, 24V +/- 10%
 Output voltage accuracy: +/- 3% @ Uout 1&2
 Line regulation: +/- 0,3%
 Load regulation: +/- 0,5%
 Operating temperature: -40°C up to +105°C
 Ambient temperature:
 CSK / CMK -40°C to +71°C
 CMKA -55°C to +85°C
 Efficiency: up to 73%
 Ripple & Noise: typ. 50mVp-p

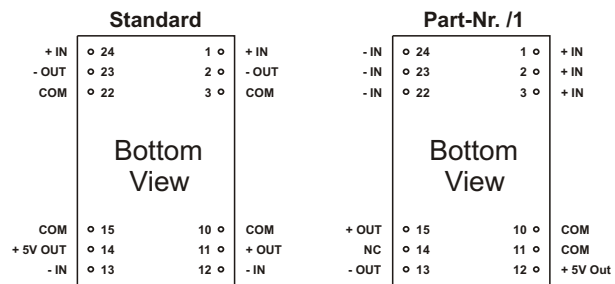
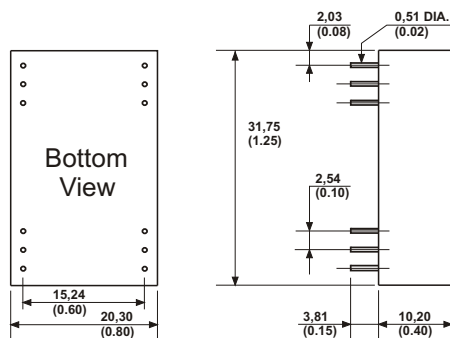
Short circuit switch-off
 Short circuit proof & auto-restart (1CSK/1CMK/1CMKA-series)
 Over load protection Thermal shut down
 Over current /
 Short circuit cut-off: 120%
 rel. humidity: 93% / 40°C
 Shock proof acc.: IEC 68-2-34
 Flameability: UL - 94V -0
 Insulation test voltage: 1000V DC
 Part-Nr. /5 External -IN & -OUT/COM connection allowed
 Case material:
 CSK polycarbonat
 CMK / CMKA metal

All specifications typical @ Ta +25°C
 Nom. Vin & full load, unless otherwise specified!

CAUTION: NO INPUT POLARITY CHANGE ALLOWED!

Part - No. Triple	Input Voltage	Output Voltage 1&2	max. Output Current 1&2	Output Voltage 3	max. Output Current 3
CSK/CMK/CMKA05-3-0512D05 CSK/CMK/CMKA05-3-0515D05	5V	+/-12V +/-15V	+/-125mA +/-100mA	5V 5V	100mA 100mA
CSK/CMK/CMKA10-3-1212D05 CSK/CMK/CMKA10-3-1215D05	12V	+/-12V +/-15V	+/-125mA +/-100mA	5V 5V	100mA 100mA
CSK/CMK/CMKA10-3-1512D05 CSK/CMK/CMKA10-3-1515D05	15V	+/-12V +/-15V	+/-125mA +/-100mA	5V 5V	100mA 100mA
CSK/CMK/CMKA10-3-2412D05 CSK/CMK/CMKA10-3-2415D05	24V	+/-12V +/-15V	+/-125mA +/-100mA	5V 5V	100mA 100mA

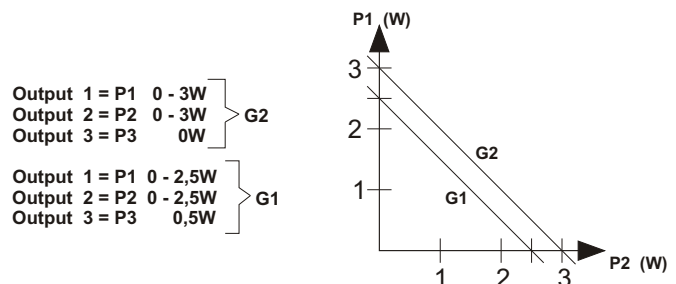
Connection options:



NOTE: Output voltage 3 is unregulated, without load U_{Out3} max. = 6,5V.

ALL DIMENSIONS IN MM (INCHES)
 MILLIMETERS +/- 0,50mm
 (INCHES +/- 0,02")
 All pins on a 2,54mm pitch
 Note: NC = No connection; NP = No pin
 Dot denote pin 1

Special request: 1 CSK / 1CMK / 1CMKA
 short circuit proof & auto-restart available.



Specification may be changed without notice
 please contact office for verification

We can offer EMC - Filter
 according to EN55011/22 Class B.