

INDUSTRIAL & AUTOMOTIVE

Stand: 13/13

Regulated
Case style: DIP24

DC/DC Converters

3 Watt
Series:
CSK / CMK / CMKA
1CSK / 1CMK / 1CMKA

Electrical specifications:

Output voltage accuracy: +/- 3%
Line regulation: +/- 0,3%
Load regulation: +/- 0,5%
Operating temperature: -40°C up to +105°C
Ambient temperature:
CSK / CMK -40°C to +71°C
CMKA -55°C to +85°C
Efficiency: up to 74%
Ripple & Noise: typ. 50mVp-p

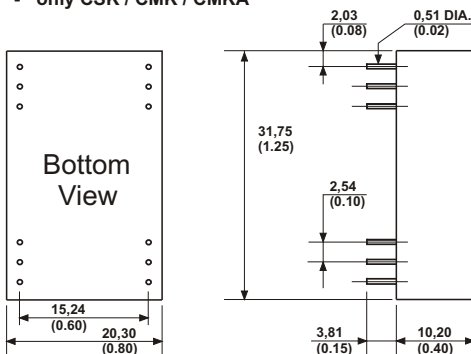
Short circuit switch-off
Short circuit proof & auto-restart (1CSK/1CMK/1CMKA-series)
Over load protection Thermal shut down
rel. humidity: 93% / 40°C
Shock proof acc.: IEC 68-2-34
Flameability: UL - 94V -0
Insulation test voltage: 1000V DC
Part-Nr. /3 Insulation optional 3000V AC rms (only CSK)
Case material:
(1)CSK polycarbonat
(1)CMK / (1)CMKA metal

CAUTION: NO INPUT POLARITY CHANGE ALLOWED!

All specifications typical @ Ta +25°C
Nom. Vin & full load, unless otherwise specified!

Part - No. Single and Dual	Input voltage	Input Voltage	Output Voltage	Output Current	Overcurrent Short circuit cut off ²
CSK/CMK/CMKA05-3-0505D-3	-5% / +10%	5V	+/- 5V*	+/-300mA	120 %
CSK/CMK/CMKA05-3-0512D-3	-5% / +10%		+/-12V	+/-125mA	120 %
CSK/CMK/CMKA05-3-0515D-3	-5% / +10%		+/-15V	+/-100mA	120 %
CSK/CMK/CMKA10-3-1205D-3	+/-10%	12V	+/- 5V*	+/-300mA	120 %
CSK/CMK/CMKA10-3-1212D-3	+/-10%		+/-12V	+/-125mA	120 %
CSK/CMK/CMKA10-3-1215D-3	+/-10%		+/-15V	+/-100mA	120 %
CSK/CMK/CMKA10-3-1505D-3	+/-10%	15V	+/- 5V*	+/-300mA	120 %
CSK/CMK/CMKA10-3-1512D-3	+/-10%		+/-12V	+/-125mA	120 %
CSK/CMK/CMKA10-3-1515D-3	+/-10%		+/-15V	+/-100mA	120 %
CSK/CMK/CMKA10-3-2405D-3	+/-10%	24V	+/- 5V*	+/-300mA	120 %
CSK/CMK/CMKA10-3-2412D-3	+/-10%		+/-12V	+/-125mA	120 %
CSK/CMK/CMKA10-3-2415D-3	+/-10%		+/-15V	+/-100mA	120 %

Attention:
- don't change input polarity!
- * at unbalanced load of 5V -
output types
max. 2,4 Watt output power
- ² only CSK / CMK / CMKA



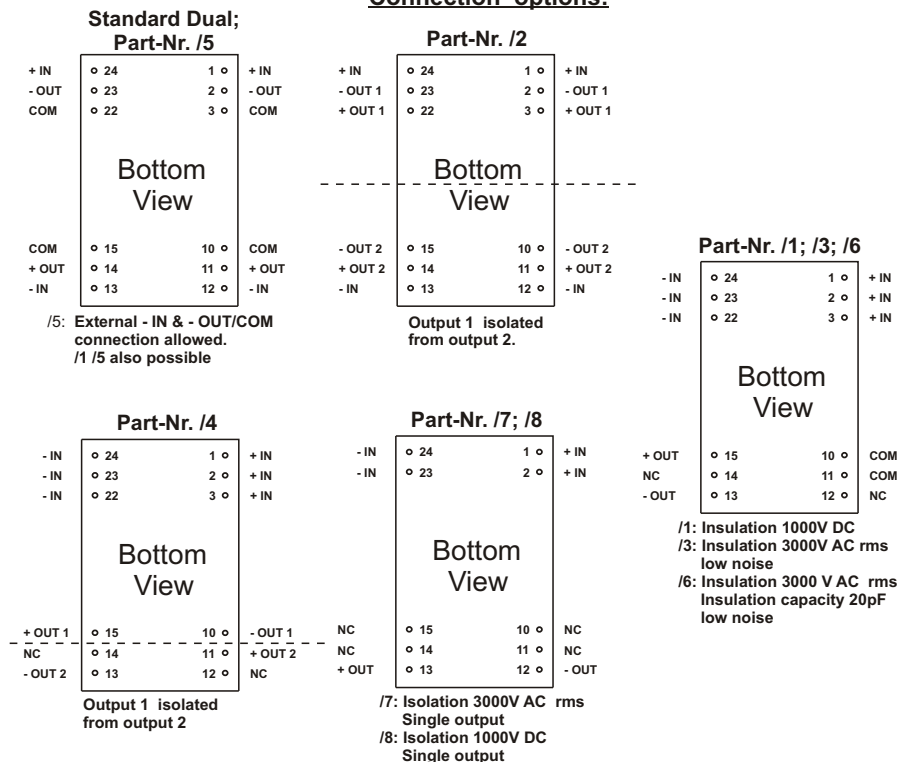
ALL DIMENSIONS IN MM (INCHES)
MILLIMETERS +/- 0,50mm
(INCHES +/- 0,02")

All pins on a 2,54mm pitch
Note: NC = No connection; NP = No pin
Dot denote pin 1

Special request: 1 CSK / 1CMK / 1CMKA
short circuit proof & auto-restart available.

Specification may be changed without notice
please contact office for verification

Connection options:



We can offer EMC - Filter
according to EN55011/22 Class B.

INDUSTRIAL & AUTOMOTIVE

3 Watt

Regulated
Case style: DIP24
Application: A/D conversion

DC/DC Converters

triple output

Series:
CSK / CMK / CMKA
1CSK / 1CMK / 1CMKA

Electrical specifications:

Input voltage range:
5V -5%+10%
12V, 15V, 24V +/- 10%
Output voltage accuracy: +/- 3% @ Uout 1&2
Line regulation: +/- 0,3%
Load regulation: +/- 0,5%
Operating temperature: -40°C up to +105°C
Ambient temperature:
CSK / CMK -40°C to +71°C
CMKA -55°C to +85°C
Efficiency: up to 73%
Ripple & Noise: typ. 50mVp-p

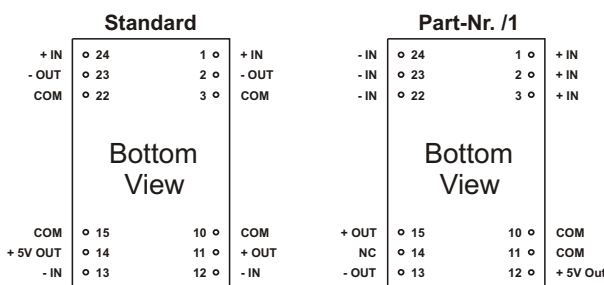
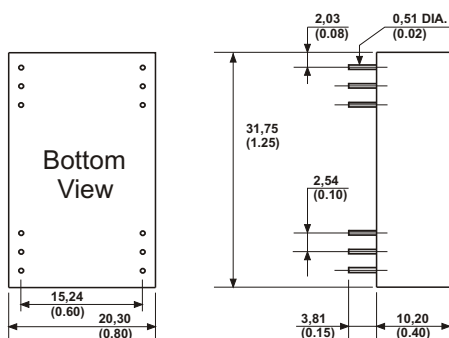
Short circuit switch-off
Short circuit proof & auto-restart (1CSK/1CMK/1CMKA-series)
Over load protection Thermal shut down
Over current /
Short circuit cut-off: 120%
rel. humidity: 93% / 40°C
Shock proof acc.: IEC 68-2-34
Flameability: UL - 94V -0
Insulation test voltage: 1000V DC
Part-Nr. /5 External -IN & -OUT/COM connection allowed
Case material:
CSK polycarbonat
CMK / CMKA metal

All specifications typical @ Ta +25°C
Nom. Vin & full load, unless otherwise specified!

CAUTION: NO INPUT POLARITY CHANGE ALLOWED!

Part - No. Triple	Input Voltage	Output Voltage 1&2	max. Output Current 1&2	Output Voltage 3	max. Output Current 3
CSK/CMK/CMKA05-3-0512D05 CSK/CMK/CMKA05-3-0515D05	5V	+/-12V +/-15V	+/-125mA +/-100mA	5V 5V	100mA 100mA
CSK/CMK/CMKA10-3-1212D05 CSK/CMK/CMKA10-3-1215D05	12V	+/-12V +/-15V	+/-125mA +/-100mA	5V 5V	100mA 100mA
CSK/CMK/CMKA10-3-1512D05 CSK/CMK/CMKA10-3-1515D05	15V	+/-12V +/-15V	+/-125mA +/-100mA	5V 5V	100mA 100mA
CSK/CMK/CMKA10-3-2412D05 CSK/CMK/CMKA10-3-2415D05	24V	+/-12V +/-15V	+/-125mA +/-100mA	5V 5V	100mA 100mA

Connection options:

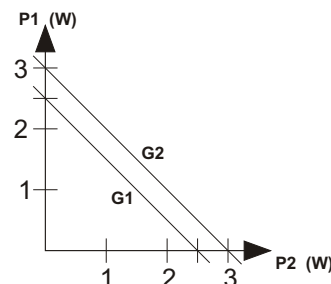


NOTE: Output voltage 3 is unregulated,
without load U_{Out3} max. = 6,5V.

ALL DIMENSIONS IN MM (INCHES)
MILLIMETERS +/- 0,50mm
(INCHES +/- 0,02")
All pins on a 2,54mm pitch
Note: NC = No connection; NP = No pin
Dot denote pin 1

Special request: 1 CSK / 1CMK / 1CMKA
short circuit proof & auto-restart available.

Output 1 = P1 0 - 3W } G2
Output 2 = P2 0 - 3W }
Output 3 = P3 0W }
Output 1 = P1 0 - 2,5W } G1
Output 2 = P2 0 - 2,5W }
Output 3 = P3 0,5W }



Specification may be changed without notice
please contact office for verification

We can offer EMC - Filter
according to EN55011/22 Class B.