

Wide input range 1:2
Case style: DIP24

INDUSTRIAL

DC/DC Converters

Series: CRW2 /HH

RCC / PWM - regulated

2 Watt

EN50178

Electrical specifications:

Input voltage accuracy: wide 1:2
Output voltage accuracy: +/- 3%
Line regulation: +/- 0,2%
Load regulation: +/- 1%
Operating temperature: -40°C up to +105°C
Ambient temperature: -40°C to +71°C

Short circuit protection: fully protected
Efficiency: up to 80%
Output Ripple & Noise: 50mVp-p
Case material: polycarbonate

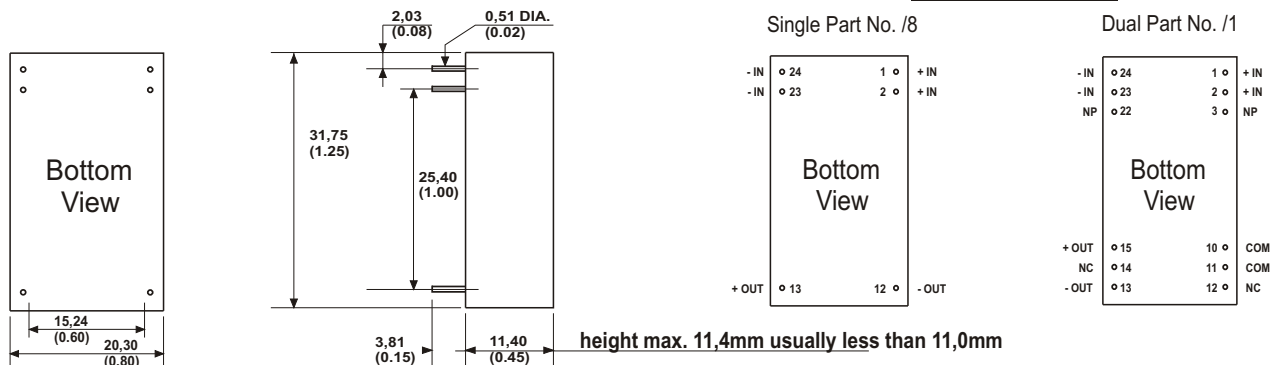
Part-Nr.: /HH - Basic Isolation EN50178
- 230V AC accidentally to INPUT will not crack Insulation
- 3kV DC Insulation test voltage > 10sec. / < 15sec.

CAUTION NO INPUT POLARITY CHANGE ALLOWED!

Part No. Single	Input Voltage DC	Output Voltage DC	Output Current	Part - No. Dual	Input Voltage DC	Output Voltage DC	Output Current
CRW2-0505/8/HH CRW2-0512/8/HH CRW2-0515/8/HH	4,5 - 5,5V	5V 12V 15V	400mA 166mA 132mA	CRW2-0505D/1/HH CRW2-0512D/1/HH CRW2-0515D/1/HH	4,5 - 5,5V	± 5V ±12V ±15V	±200mA ± 83mA ± 66mA
CRW2-1205/8/HH CRW2-1212/8/HH CRW2-1215/8/HH	9 - 18V	5V 12V 15V	400mA 166mA 132mA	CRW2-1205D/1/HH CRW2-1212D/1/HH CRW2-1215D/1/HH	9 - 18V	± 5V ±12V ±15V	±200mA ± 83mA ± 66mA
CRW2-2405/8/HH CRW2-2412/8/HH CRW2-2415/8/HH	16 - 36V	5V 12V 15V	400mA 166mA 132mA	CRW2-2405D/1/HH CRW2-2412D/1/HH CRW2-2415D/1/HH	16 - 36V	± 5V ±12V ±15V	±200mA ± 83mA ± 66mA

Any other output voltages available

PIN CONNECTION:



ALL DIMENSIONS IN MM
MILLIMETERS +/- 0,25mm
(INCHES +/- 0,01")
All pins on a 2,54mm pitch.
Note: NP = No pin. NC = No connection

All specifications typical @ Ta +25°C
Nom. Vin & full load, unless otherwise specified!

Specification may be changed without notice
please contact office for verification

We can offer EMC - Filter
according to EN55011/22 Class B.

INDUSTRIAL DC/DC Converters RCC / PWM - regulated

Stand: 13/13

Wide input range 1:2
Case style: DIP24

3 Watt
Series: CRW2
CRMW2

Electrical specifications:

Input voltage range:	wide 1:2 U _{in} = 5V +/-10%	short circuit protection:	fully protected
Output voltage accuracy:	+/- 3%	Operating temperature:	-40°C up to +105°C
Line regulation:	+/- 0,2%	Ambient temperature:	-40°C to +71°C
Load regulation:	+/- 1%	Insulation test voltage:	1000V DC
Efficiency:	up to 81%	Case material:	polycarbonate
Output Ripple & Noise:	50mVp-p	Part-Nr. /5 External -In & -OUT/COM connection allowed	
		Part-Nr. /7 1500V DC Isolation	
		CRMW2 Case material:	metal

CAUTION: NO INPUT POLARITY CHANGE ALLOWED!

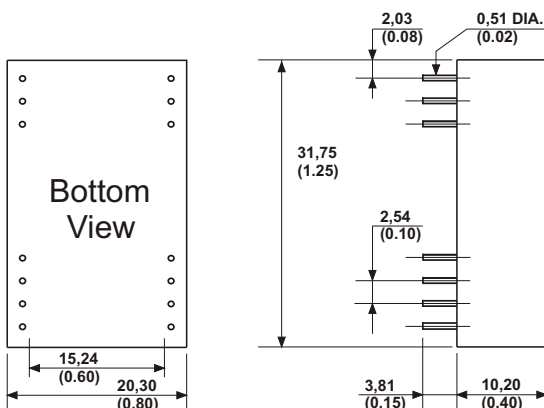
* = startup single: 4,6V @ 600mA
4,5V @ 500mA

* = startup dual: 4,6V @ +/- 300mA
4,5V @ +/- 240mA

Part No. Single	Input Voltage DC	Output Voltage DC	Output Current	Part - No. Dual	Input Voltage DC	Output Voltage DC	Output Current
CRW2-0505 CRW2-0512 CRW2-0515	4,5 - 5,5V	5V 12V 15V	* 600mA 250mA 200mA	CRW2-0505D CRW2-0512D CRW2-0515D	4,5 - 5,5V	± 5V ±12V ±15V	* ±300mA ±125mA ±100mA
CRW2-1205 CRW2-1212 CRW2-1215	9 - 18V	5V 12V 15V	600mA 250mA 200mA	CRW2-1205D CRW2-1212D CRW2-1215D	9 - 18V	± 5V ±12V ±15V	±300mA ±125mA ±100mA
CRW2-2405 CRW2-2412 CRW2-2415	16 - 36V	5V 12V 15V	600mA 250mA 200mA	CRW2-2405D CRW2-2412D CRW2-2415D	16 - 36V	± 5V ±12V ±15V	±300mA ±125mA ±100mA

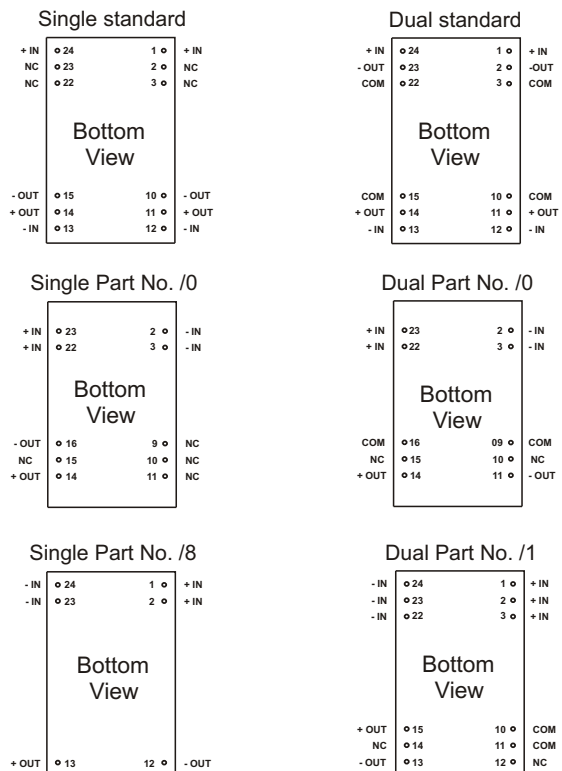
Any other output voltages available

All specifications typical @ Ta +25°C
Nom. Vin & full load, unless otherwise specified!



ALL DIMENSIONS IN MM
MILLIMETERS +/- 0,25mm
(INCHES +/- 0,01")
All pins on a 2,54mm pitch.
Note: NP = No pin. NC = No connection

PIN CONNECTION:



Specification may be changed without notice
please contact office for verification

We can offer EMC - Filter
according to EN55011/22 Class B.