

Wide input range
 Case style: DIP24

INDUSTRIAL DC/DC Converters Step down

3 - 5 Watt
 Series: CPN

Electrical specifications:

Operating temperature: -40°C up to +105°C
 Ambient temperature: -40° to +71°C
 Input voltage: wide input range
 Output voltage accuracy: +/- 5%
 Output Ripple & Noise: < 200mVp-p with output capacitor
 Line regulation: +/- 1%
 Load regulation: +/- 1%

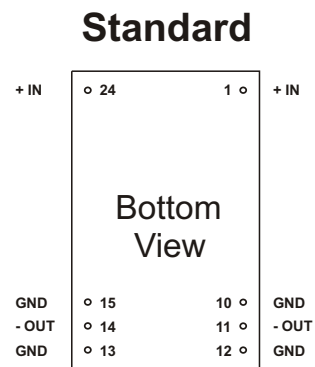
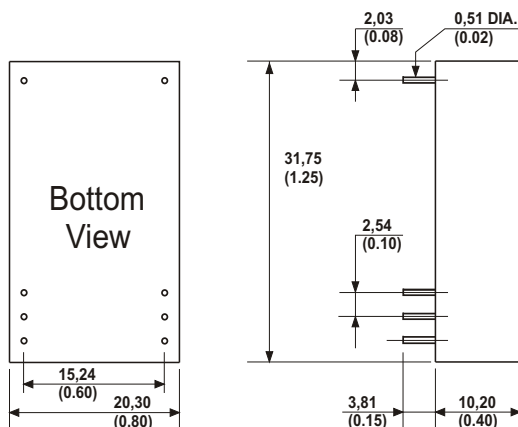
Short circuit protection: 1 second
 Insulation voltage: none
 Efficiency: up to 70%
 Case material: black polycarbonate
 Optional:
 Part-Nr. /M: metalcase

All specifications typical @ Ta +25°C
 Nom. Vin & full load, unless otherwise specified!

CAUTION: NO INPUT POLARITY CHANGE ALLOWED!

Part-No. Single	Input Voltage DC	Output Voltage DC	Output Current
CPN-07/-40	7 - 10	- 40	- 130mA
CPN-05/-40	4,75 - 10	- 40	- 75mA

Any other output voltages available



ALL DIMENSIONS IN MM (INCHES)
 MILLIMETERS +/- 0,25mm
 (INCHES +/- 0,01")

All pins on a 2,54mm pitch

**Input capacitor is necessary
 min. values of capacity: 220µF
 Output capacitor is necessary
 min. values of capacity: 470µF**

Specification may be changed without notice
 please contact office for verification

We can offer EMC - Filter
 according to EN55011/22 Class B.