

single output

INDUSTRIAL DC/DC Converters PWM - regulated

20 Watt
 Series: TC

Electrical specifications:

Input voltage: +/- 10%
 Output voltage accuracy: +/- 3%
 Line regulation: +/- 0,2%
 Load regulation: +/- 1%
 Efficiency: up to 83%
 Output Ripple & Noise: 150mVp-p
 Short circuit protection: continuous
 Insulation test voltage: 1000V DC
 Case material: metal epoxy /3; /4

Operating temperature: -40°C up to 105°C
 Ambient temperature: -40°C to +71°C
 Part-No. /9 Ambient temperature optional: -55°C to +85°C
 Optional:
 Part-No. /0 Enable/Disable
 Part-No. /2 Adjust output voltage
 Part-No. /3 Insulation test voltage 3kV AC rms
 Part-No. /4 Insulation test voltage 4kV AC rms
 Part-No. /5 External -IN & -OUT/COM connection allowed

All specifications typical @ Ta +25°C
 Nom. Vin & full load, unless otherwise specified!

CAUTION: NO INPUT POLARITY CHANGE ALLOWED!

Part - No. Single Output	Input Voltage DC	Output Voltage DC	Output Current 20W
TC-0505	4,5 - 5,5V	5V	4000mA
TC-0512		12V	1670mA
TC-0515		15V	1330mA
TC-0524		24V	833mA
TC-0528		28V	714mA
TC-0548		48V	417mA
TC-0560		60V	333mA

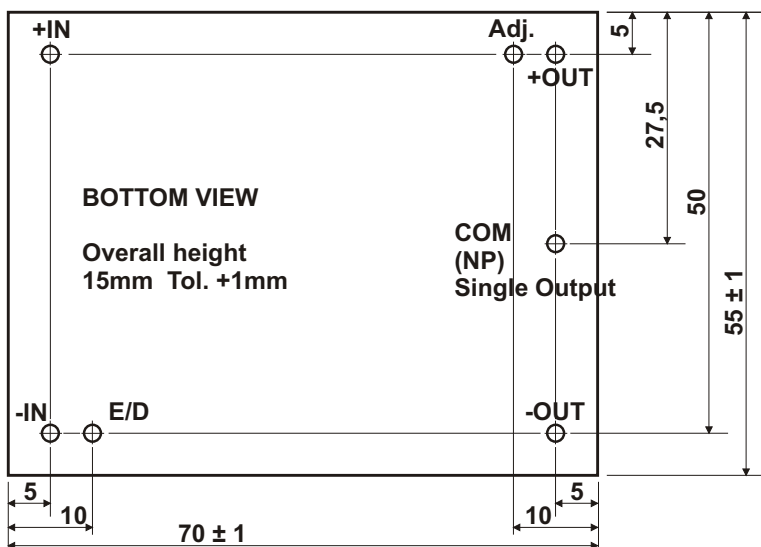
Any other output voltages available

Part-Nr. /0
 Logic compatibility TTL
ON: E/D-Pin open or >=4,6 ... 5,5V
OFF: E/D-Pin <=0,6V
 Area between 0,6V ... 4,6V undefined

Part-Nr. /2

$R_{Adj} \geq xR \leq xR$
 5V 5k 5k
 12V 3k 5k
 15V

Do not use converter without R_{Adj.}!



ALL DIMENSIONS IN MM
 MILLIMETERS +/-0,25mm
 NP (no pin) on single output models
 COM (common) on dual output models

Note: Pin size is 1mm diameter

Specification may be changed without notice
 please contact office for verification

We can offer EMC - Filter
 according to EN55011/22 Class B.

Triple output

INDUSTRIAL DC/DC Converters

7 Watt
 Series: TC

PWM - regulated

Electrical specifications:

Input voltage: +/- 10%
 Output voltage accuracy: +/- 3%
 Line regulation: +/- 0,3%
 Load regulation: +/- 0,6%
 Efficiency: min. 68%
 Output Ripple & Noise: 150mVp-p
 Short circuit protection: continuous
 Insulation test voltage: 1000V DC
 Case material: metal epoxy /3; /4

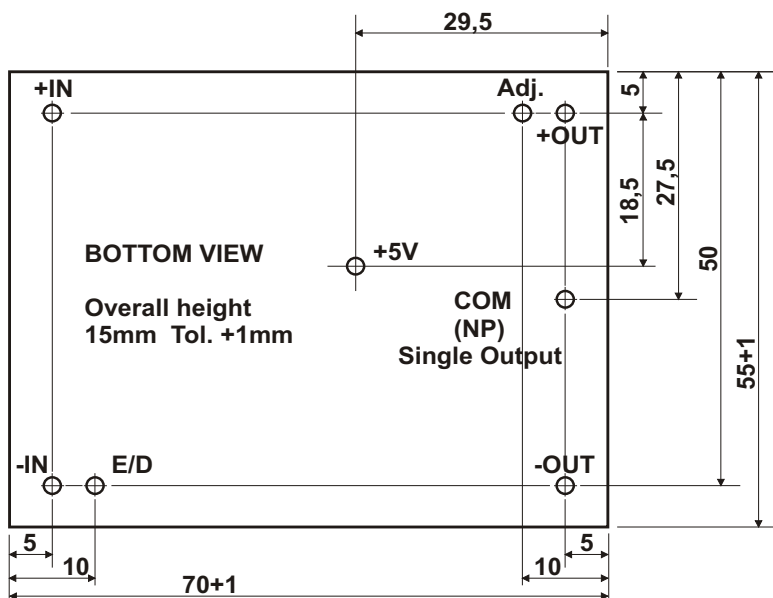
Operating temperature: -40°C up to +105°C
 Ambient temperature: -40°C to +71°C
 Part-No. /9 Ambient temperature optional: -55°C to +85°C
 Optional:
 Part-No. /0 Enable/Disable
 Part-No. /2 Adjust output voltage
 Part-No. /5 External -IN & -OUT/COM connection allowed

All specifications typical @ Ta +25°C
 Nom. Vin & full load, unless otherwise specified!

CAUTION: NO INPUT POLARITY CHANGE ALLOWED!

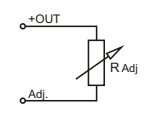
Part - No. Single Output	Input Voltage DC	Output Voltage DC	Output Current	Output Voltage DC	Output Current
TC-2410D05	21,6 - 26,4V	+/-10V	+/-50mA	5V	1A

Any other output voltages available



Part-Nr. /0
 Logic compatibility TTL
 ON: E/D-Pin open or >=4,6 ... 5,5V
 OFF: E/D-Pin <=0,6V
 Area between 0,6V ... 4,6V undefined

Part-Nr. /2



$R_{Adj} \geq xR \leq xR$
 5V
 12V 3k 5k
 15V

Do not use converter without R_{Adj} !

ALL DIMENSIONS IN MM
 MILLIMETERS +/-0,25mm
 NP (no pin) on single output models
 COM (common) on dual output models

Note: Pin size is 1mm diameter