

## COMMERCIAL-INDUSTRIAL

78 linear/post regulator  
 Replacement  
 Case Style: SIP 3

## DC/DC Converters

Series: 78SD  
 0,5 Ampere

none isolated Step Down / Buck - Converter

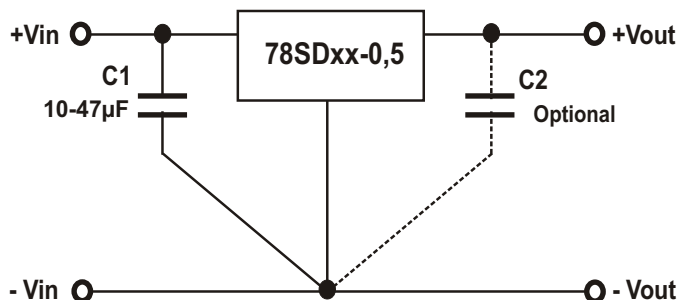
### Electrical specifications:

Output voltage accuracy:  $\pm 3\%$  max.  
 Line Voltage regulation: 0,4% max.  
 Load Voltage regulation: 0,6% max. (10% to 100% Load)  
 Efficiency @ transfer: up to 97%

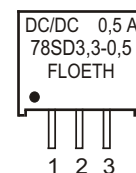
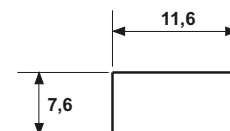
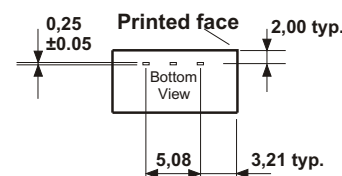
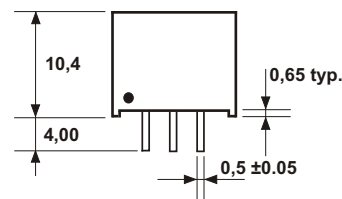
Output Ripple & Noise: max. 40mVp-p  
 Short circuit protection: Continuous  
 Operating temperature /  
 Case temperature (hot spot):  $-40^{\circ}\text{C}$  to  $+85^{\circ}\text{C}$  (not to be exceed)  
 Input Capacitor is requested  $\sim 22\mu\text{F}$

CAUTION: NO INPUT POLARITY CHANGE ALLOWED!

0,5 AMP		
Part-No.	Input Range (V)	Output Voltage (V)
78SD1,5-0,5	4,75 - 30	1,5
78SD1,8-0,5	4,75 - 34	1,8
78SD2,5-0,5	4,75 - 34	2,5
78SD3,3-0,5	4,75 - 34	3,3
78SD5,0-0,5	6,5 - 34	5,0
78SD6,5-0,5	9,0 - 34	6,5
78SD9,0-0,5	11 - 34	9,0
78SD12-0,5	15 - 34	12
78SD15-0,5	18 - 34	15



### Package style and Pinning:



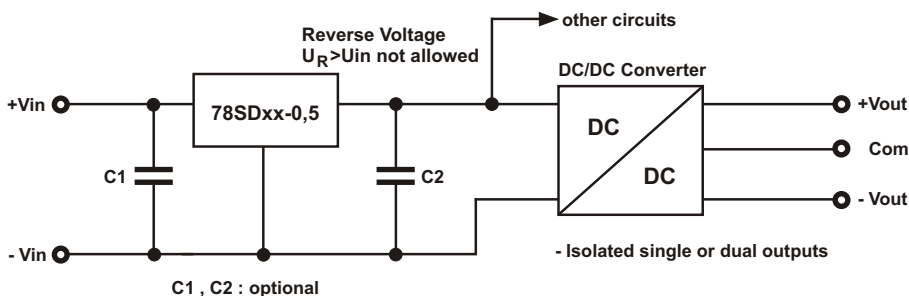
### Pin Connection:

1 = +Vin  
 2 = GND  
 3 = +Vout

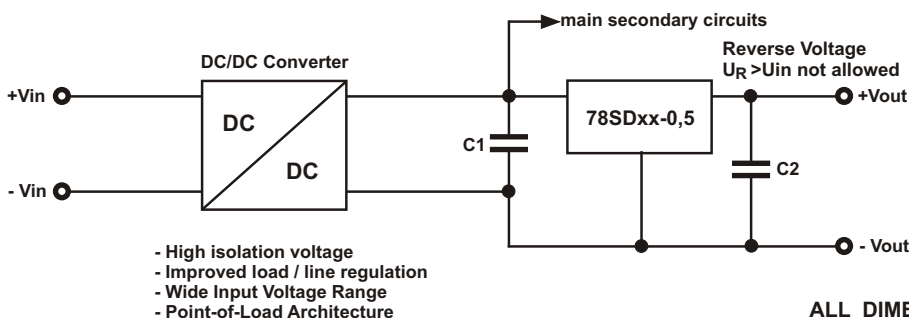
ALL DIMENSIONS IN MM  
 Tolerance  $\pm 0,25\text{mm}$   
 All pins on a 2,54mm pitch NOTE: Dot denotes pin 1

Any other output voltages on request

### Application examples:



Isolated (up to 6kV), wide Input range regulated output



Specification may be changed without notice  
 please contact office for verification

We can offer EMC - Filter  
 according to EN55011/22 Class B.

## COMMERCIAL-INDUSTRIAL

78 linear/post regulator  
 Replacement

## DC/DC Converters

Series: 78SD  
 1,0 Ampere

Case Style: SIP 3

none isolated Step Down / Buck - Converter

### Electrical specifications:

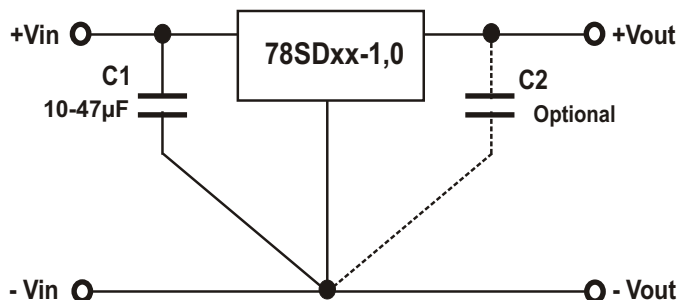
Output voltage accuracy: +/- 2% max.  
 Line Voltage regulation: 0,3% max.  
 Load Voltage regulation: 0,6% max. (10% to 100% Load)  
 Efficiency @ transfer: up to 96%

Output Ripple & Noise: max. 50mVp-p 1.2 to 6.5Vout  
 max. 75mVp-p 9 to 15Vout  
 Short circuit protection: Continuous  
 Operating temperature: -40°C to +85°C

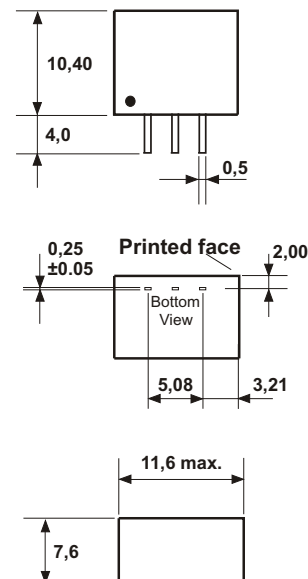
Input Capacitor is requested ~ 22µF

CAUTION: NO INPUT POLARITY CHANGE ALLOWED!

1,0 AMP		
Part-No.	Input Range (V)	Output Voltage (V)
78SD1,2-1,0	4,6 - 36	1,2
78SD1,5-1,0	4,6 - 36	1,5
78SD1,8-1,0	4,6 - 36	1,8
78SD2,5-1,0	4,6 - 36	2,5
78SD3,3-1,0	4,75 - 36	3,3
78SD5,0-1,0	6,5 - 36	5,0
78SD6,5-1,0	9,0 - 36	6,5
78SD9,0-1,0	12 - 36	9,0
78SD12-1,0	15 - 36	12
78SD15-1,0	18 - 36	15

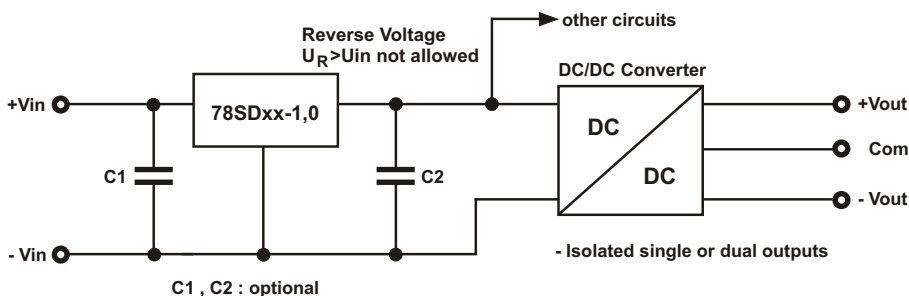


### Package style and Pinning:

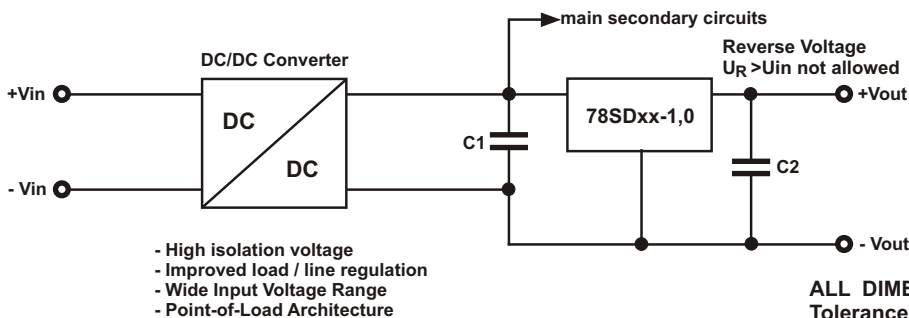


Any other output voltages on request

### Application examples:



Isolated (up to 6kV), wide Input range regulated output



- High isolation voltage
- Improved load / line regulation
- Wide Input Voltage Range
- Point-of-Load Architecture

ALL DIMENSIONS IN MM  
 Tolerance +/- 0,25mm  
 All pins on a 2,54mm pitch

### Pin Connection:

- 1 = +Vin
- 2 = GND
- 3 = +Vout

NOTE: Dot denotes pin 1

Specification may be changed without notice  
 please contact office for verification

We can offer EMC - Filter  
 according to EN55011/22 Class B.

## COMMERCIAL-INDUSTRIAL

78 linear/post regulator  
 Replacement  
 Case Style: SIP 3

## DC/DC Converters

Series: 78SD  
 2 Ampere

none isolated Step Down / Buck - Converter

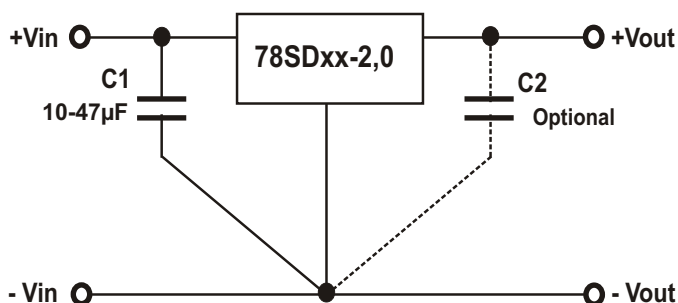
### Electrical specifications:

Output voltage accuracy: +/- 3% max.  
 Line Voltage regulation: 0,5% typ.  
 Load Voltage regulation: 0,5% typ. (10% to 100% Load)  
 Efficiency @ transfer: up to 96%

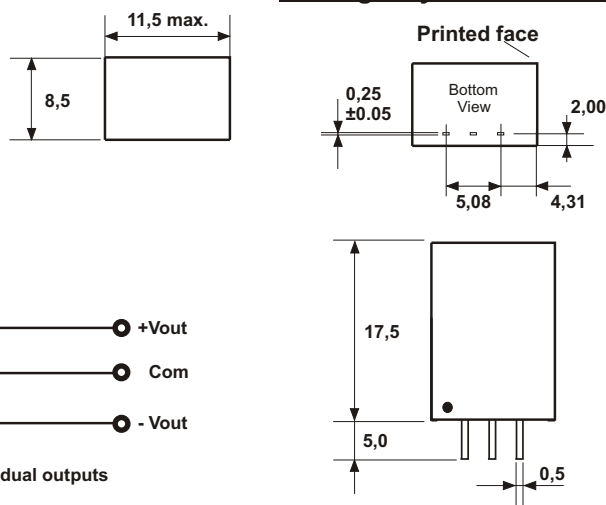
Output Ripple & Noise: max. 100mVp-p (without Output Capacitor)  
 Continuous  
 Operating temperature: -40°C to +85°C (with derating)  
 Switching Frequency: typ. 500 kHz  
 Input Capacitor is requested ~ 22µF

CAUTION: NO INPUT POLARITY CHANGE ALLOWED!

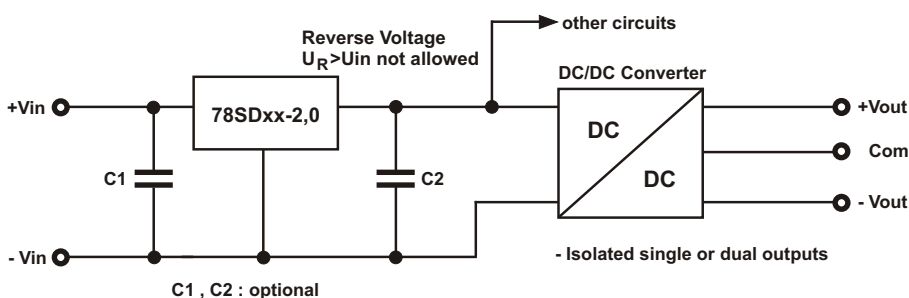
2 AMP			
Part-No.	Input Range (V)	Output Voltage (V)	Output Current (mA)
78SD1,8-2,0	4,75 - 36	1,8	2000
78SD2,5-2,0	4,75 - 36	2,5	2000
78SD3,3-2,0	4,75 - 36	3,3	2000
78SD5,0-2,0	6,5 - 36	5,0	2000
78SD9,0-2,0	12 - 36	9,0	2000
78SD12-2,0	15 - 36	12	2000
78SD15-2,0	18 - 36	15	2000



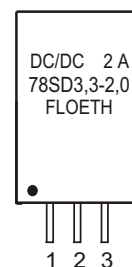
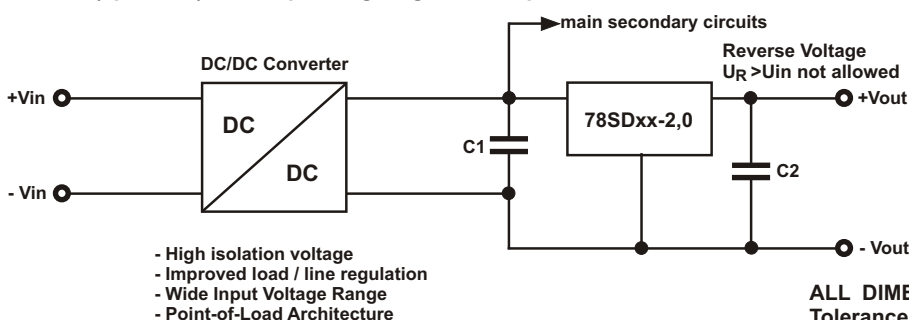
### Package style and Pinning:



### Application examples:



### Isolated (up to 6kV), wide Input range regulated output



### Pin Connection:

1 = +Vin  
 2 = GND  
 3 = +Vout

NOTE: Dot denotes pin 1

ALL DIMENSIONS IN MM  
 Tolerance +/- 0,25mm  
 All pins on a 2,54mm pitch

Specification may be changed without notice  
 please contact office for verification

We can offer EMC - Filter  
 according to EN55011/22 Class B.

## COMMERCIAL-INDUSTRIAL

78 linear/post regulator  
 Replacement  
 Case Style: SIP 3

## DC/DC Converters

Series: 78SDW  
 0,5 Ampere

none isolated Step Down / Buck - Converter

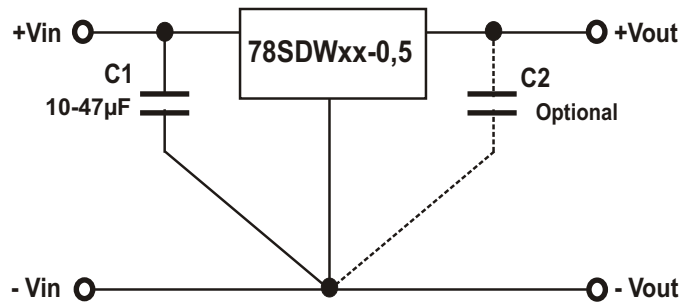
### Electrical specifications:

Output voltage accuracy: +/- 3% max.  
 Line Voltage regulation: 0,3% typ.  
 Load Voltage regulation: 0,4% typ. (10% to 100% Load)  
 Efficiency @ transfer: up to 96%

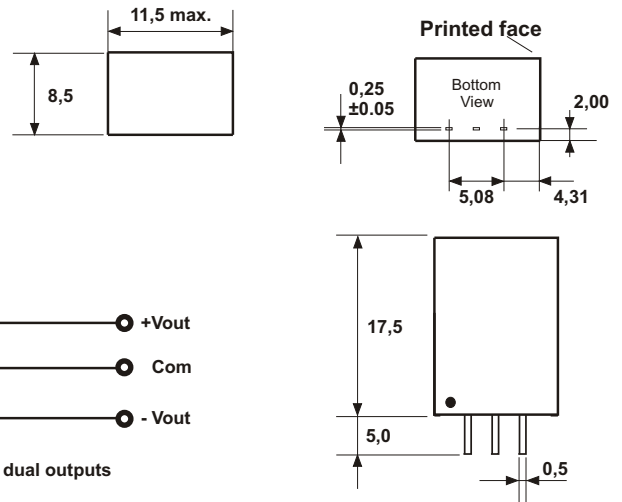
Output Ripple & Noise: max. 60mVp-p (without Output Capacitor)  
 Continuous  
 Operating temperature: -40°C to +85°C (with derating)  
 Switching Frequency: 150 - 500 kHz  
 Input Capacitor is requested ~ 22µF

CAUTION: NO INPUT POLARITY CHANGE ALLOWED!

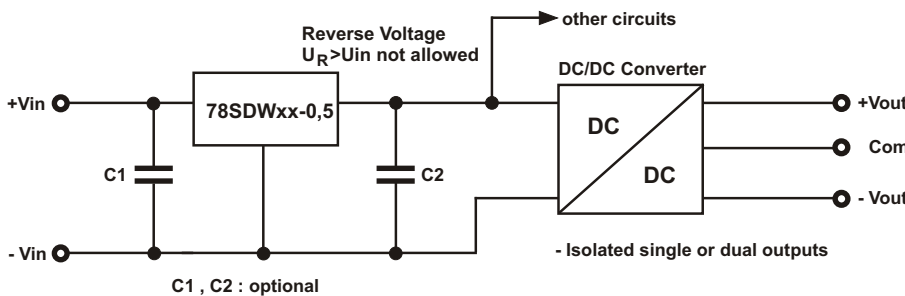
0,5 AMP			
Part-No.	Input Range (V)	Output Voltage (V)	Output Current (mA)
78SDW3,3-0,5	9,0 - 72	3,3	500
78SDW5,0-0,5	9,0 - 72	5,0	500
78SDW6,5-0,5	9,0 - 72	6,5	500
78SDW9,0-0,5	14 - 72	9,0	500
78SDW12-0,5	17 - 72	12	500
78SDW15-0,5	21 - 72	15	500
78SDW24-0,3	36 - 72	24	300



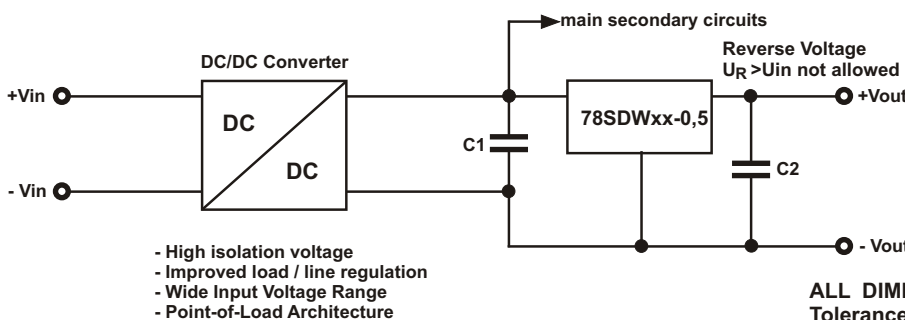
### Package style and Pinning:



### Application examples:

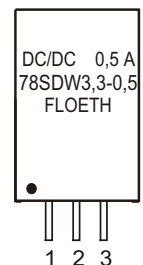


### Isolated (up to 6kV), wide Input range regulated output



- High isolation voltage
- Improved load / line regulation
- Wide Input Voltage Range
- Point-of-Load Architecture

ALL DIMENSIONS IN MM  
 Tolerance +/- 0,25mm  
 All pins on a 2,54mm pitch



### Pin Connection:

- 1 = +Vin
- 2 = GND
- 3 = +Vout

NOTE: Dot denotes pin 1

Specification may be changed without notice  
 please contact office for verification

We can offer EMC - Filter  
 according to EN55011/22 Class B.